

# **SPEAKMAN COMPANY**

## **SC-1210-AF Installation, Maintenance & Operation Instructions COMMANDER® EXPOSED SHOWER**

### **DESCRIPTION**

Speakman COMMANDER exposed chrome plated shower with PERFECT® valves on 6" centers. ¼ turn ceramic cartridges covered by 25 year Silver warranty. Chrome plated patented vandal-resistant four arm handles with color-coded indexes. ½" NPTM chrome plated brass risers. Reversible valve body. Polished chrome plated brass gooseneck with supporting strap. S-2270-AF COSMOPOLITAN® showerhead with flow control device reduces flow to 2.5 GPM/9.46 LPM maximum to meet existing ANSI A112.18.1M Standard.

### **SPECIFICATIONS**

SUPPLIES: ½" NPT FEMALE  
FLOW RATE: SHOWERHEAD, 2.5 GPM/9.46 LPM MAX (FIXED)  
SHIPPING WEIGHT: 12.74 LBS.

### **OPTIONS**

◇ LH – Less Showerhead	◇ 2 - S-2252-AF – ANYSTREAM® Shower head	◇ 3 - S-2253-AF ANYSTREAM® Shower head
◇ BH – Brass Handles	◇ LSP – Less Supply Pipe	◇ VR – Vandal Resistant (S-2252, S-2253 only)

### **INSTALLATION**

NOTE: Supply lines must have ½" NPT female threaded ends and be 1-1/8" from center of supply line to finished wall. Supplies must be on 6" centers. Recommended height from center of valve body to floor is 54". Valve body is reversible to take supplies from below.

Apply pipe sealant to one end of supply pipes. Screw pipes into supply lines.

Apply sealant to threads of supply lines. Slip coupling nuts onto lines and screw swivels up hand tight. Gripping on small diameter of swivels with a pipe wrench, tighten pipes and/ or swivels. Slip strap onto gooseneck. Apply sealant to inlet threads of gooseneck and screw into valve body. Tighten and position outlet with valve body. Placing rubber washers on inlets of valve body, position body assembly up to swivels and hand tighten coupling nuts. Hold assembly up against wall and mark location of mounting holes for valve body and gooseneck strap. NOTE: Gooseneck strap location optional. Disconnect assembly from supply lines. Drill starter holes for mounting screws. NOTE: Wall must be supported where body and strap mounts. Connect valve assembly to supply lines and tighten coupling nuts with wrench. Fasten body and strap to wall using (4) wood screws provided. Turn water supplies on and flush both hot and cold sides of fitting. Apply sealant to threads of gooseneck. Screw showerhead onto gooseneck and tighten with pipe wrench. Check all connections for leaks.

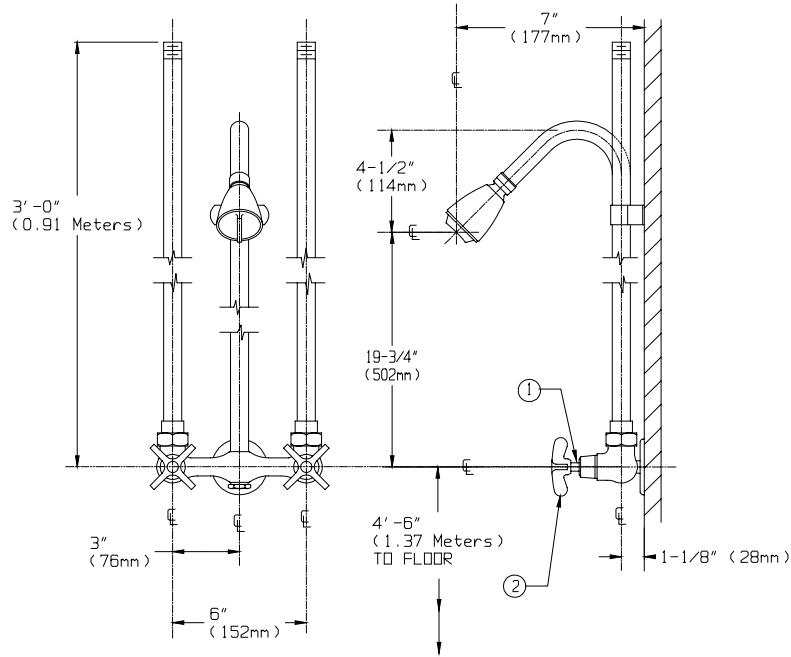
### **OPERATION**

Simply rotate the handles ¼ turn maximum to operate the shower valve.

### **MAINTENANCE**

Valves are washerless and require no routine maintenance. The gleaming finish of your SPEAKMAN COMMANDER exposed shower can be cleaned by using mild soap and warm water. Dry immediately with a soft, clean cloth for best results.

**ROUGH-IN MEASUREMENTS**



**NOTE:**

ALL DIMENSIONS  
(MILLIMETERS)  
UNLESS OTHERWISE SPECIFIED AND ARE SUBJECT  
TO CHANGE WITHOUT NOTICE.

ARE IN INCHES

**REPAIR / REPLACEMENT PARTS**

<u>ITEM NUMBER</u>	<u>PART OR GROUP NUMBER</u>	<u>DESCRIPTION</u>
1	RPG05-0532	PERFECT VALVE W/ TRIM SLEEVE AND SCREW
2	RPG04-0323-PC	4 ARM HANDLE W/ SCREW AND INDEXES

**SPEAKMAN®**

PO Box 191 Wilmington, DE 19899 Phone: 800-537-2107 Fax: 800-977-2747  
Visit us on the web at [www.speakmancompany.com](http://www.speakmancompany.com)