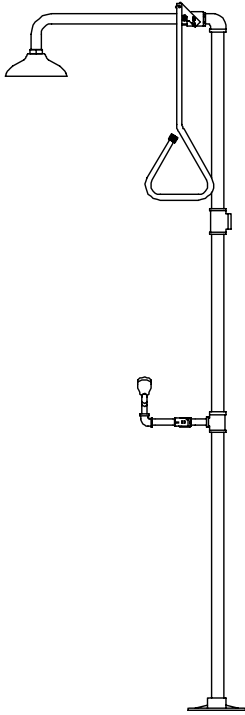


# SPEAKMAN®

## Combination Shower & Eye/Face Wash SE-675

SPECIFICATION



### FEATURES:

- 8" Cicolac® yellow plastic showerhead
- Internal 20 gpm restrictor flow control
- 1" NPT female brass, chrome-plated, full flow stay-open ball valve
- Powder coated yellow, aluminum triangular pull rod activator
- 1 1/4" IPS galvanized steel piping stanchion with brass fittings
- 1 1/4" NPT female inlet

### EYE/FACE WASH: SE-575

- (2) yellow plastic spray outlets with flip-top dust caps
- 1/2" NPT female brass, chrome-plated, full flow stay-open ball valve
- Stainless steel push handle activator
- 1/2" NPT male inlet
- 4.5 gpm @ 30 psi
- Universal Emergency Sign Included

### COMPLIANCE:

- ANSI Z358.1

### AVAILABLE FINISHES:

- Galvanized Steel (standard)
- Powder coat finish

-PA

### OPTIONS:

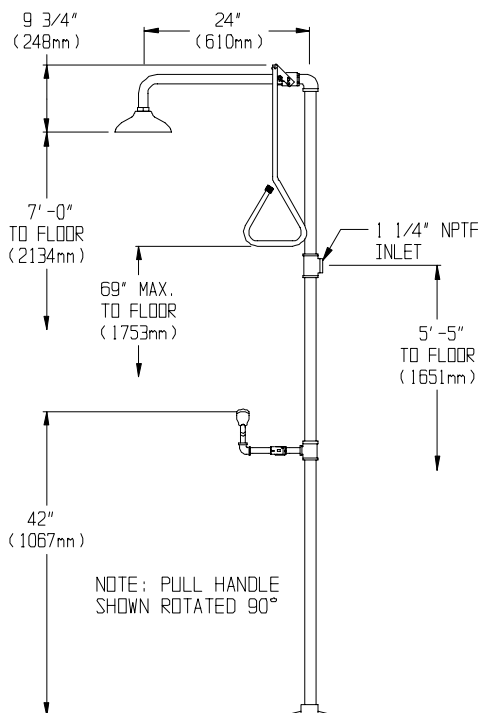
ADD SUFFIX TO MODEL #

- 30 GPM REGULATOR  -30GPM
- BRASS SHOWERHEAD  -BH
- FLOW SWITCH  -FLW
- ANTI-FREEZE PROTECTION VALVE  -FPV
- HAND & FOOT OPERATION  -HFO
- HAND-HELD SPRAY  -HS
- ANTI-SCALD PROTECTION VALVE  -SPV
- STAINLESS STEEL PULL ROD  -SPR
- STAINLESS STEEL BALL VALVES  -SSBV
- STAINLESS STEEL SHOWERHEAD  -SSH
- TOP SUPPLY  -TS

### WARRANTY:

- 1 year limited

NOTE: 1. All dimensions are in inches (millimeters) unless otherwise specified and are subject to change without notice.



THIS SPACE FOR ARCHITECT/ENGINEER APPROVAL.

# SPEAKMAN®

400 ANCHOR MILL ROAD | NEW CASTLE, DE 19720  
P: 800-537-2107 | F: 800-977-2747  
WWW.SPEAKMANCOMPANY.COM



REVISION DATE: FEB. 2012