

SPEAKMAN®

SE-623

EYESAVER® FAUCET SPECIFICATIONS

DESCRIPTION

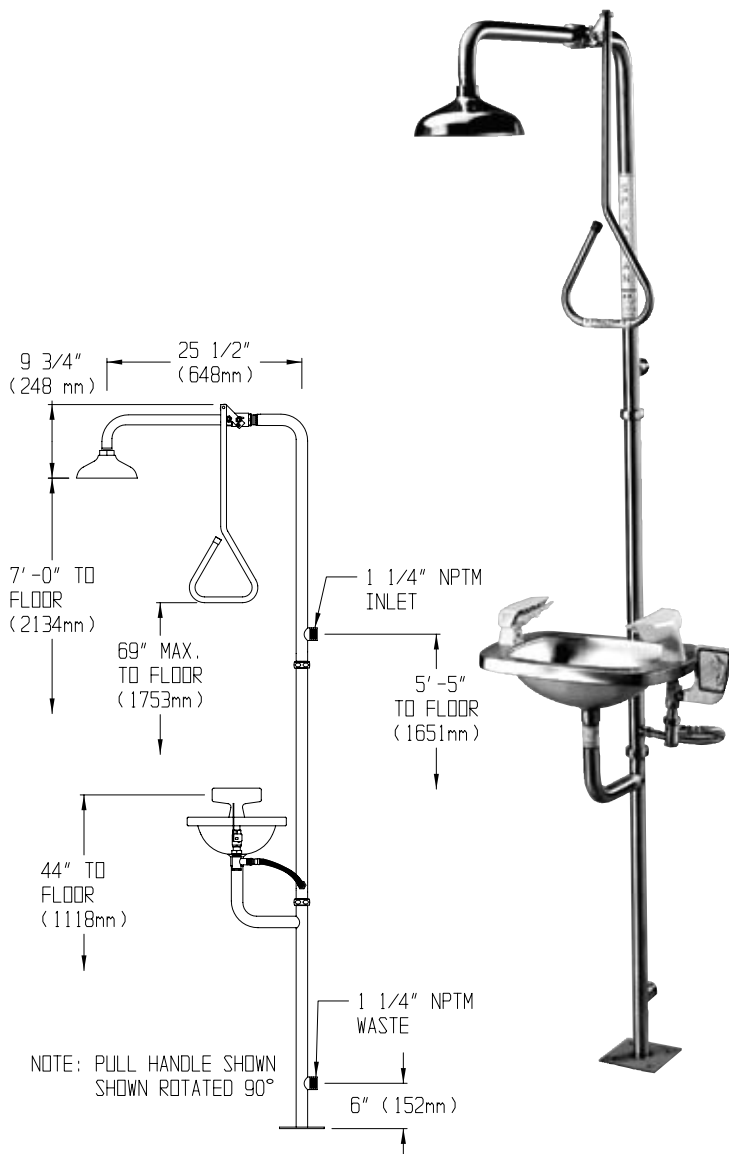
The SE-623 Safe-T-Zone® features the SE-400 eye/face wash with six aerated sprays and rectangular stainless steel bowl combined on a stainless steel stanchion with an impeller action deluge showerhead which is activated by a stainless steel pull rod.

SPECIFICATIONS

- Showerhead:** 8" diameter stainless steel
- Flow Control:** Internal 20 gpm regulator
- Valve:** 1" NPT female stainless steel.
- Full flow stay open ball valve
- Activator:** Stainless steel triangular pull rod
- Stanchion:** 1½" stainless steel, 18 gauge tubing
- Inlet & Waste:** 1¼" NPT male
- Performance:** 20 gpm @ 30 psi
- Finish:** Stainless steel
- EYE/FACE WASH: SE-400**
- Bowl:** 300 series stainless steel
- Spray Heads:** (6) brass, chrome-plated, aerated
- Valve:** ½" NPT female stainless steel
- Activator:** Stainless steel push handle
- Shrouds:** Yellow polypropylene
- Strainer:** Brass, chrome-plated, in-line
- Performance:** 3.0 gpm @ 30 psi
- Compliance:** ANSI Z358.1
- Universal Emergency Sign Included**

OPTIONS

- FLW Flow switch
- FPV Freeze protection valve
- HFO Hand/Foot operation
- HS Hand-held spray
- PSS Polished stainless steel finish
- SPV Scald protection valve
- TS Top supply



Job Name _____
Location _____
Architect/Engineer _____
Sales Representative _____
Wholesaler _____
Date _____ Model # _____