

## SENTINEL MARK II®

**SM-2000**



**SM-2010**



## Anti-Scald Balanced Pressure Valve & Shower

### GENERAL SPECIFICATION

Sentinel Mark II concealed anti-scald balanced pressure valve. Chrome plated wall plate. Chrome plated brass lever handle. Independent center sleeve allows up to 1" of rough-in variation. Adjustable temperature limit stop. Brass body. Pressure balancing module. Can be installed back-to-back. Roughing-in template. Four port valve with 1/2" NPTF inlets and outlets. Furnished with 1/2" pipe plug. Meets ASSE 1016, 1989 standard.

#### **SM-2000**

Anti-scald balanced pressure valve only.

#### **SM-2010**

Anti-scald balanced pressure shower. S-2270-AF Cosmopolitan® showerhead with flow control device reduces flow to 2.5 gpm/9.46 lpm maximum to meet existing ASME A112.18.1/CSA B125.1 standard. S-2500 shower arm and wall flange.

### OPTIONS

SUFFIX	DESCRIPTION
--------	-------------

<input type="checkbox"/> SCS	Spring check stops
------------------------------	--------------------

### OPTIONS FOR SM-2010 ONLY

SUFFIX	DESCRIPTION
--------	-------------

<input type="checkbox"/> LH	Less showerhead
<input type="checkbox"/> 1	S-2251-AF showerhead
<input type="checkbox"/> 2	S-2252-AF showerhead
<input type="checkbox"/> 2VR	S-2252-AF vandal-resistant showerhead
<input type="checkbox"/> 3	S-2253-AF showerhead
<input type="checkbox"/> 4	S-2220-AF showerhead
<input type="checkbox"/> 6	S-2288-AF showerhead
<input type="checkbox"/> 7	S-2291-AF showerhead
<input type="checkbox"/> 9	S-2292-AF showerhead

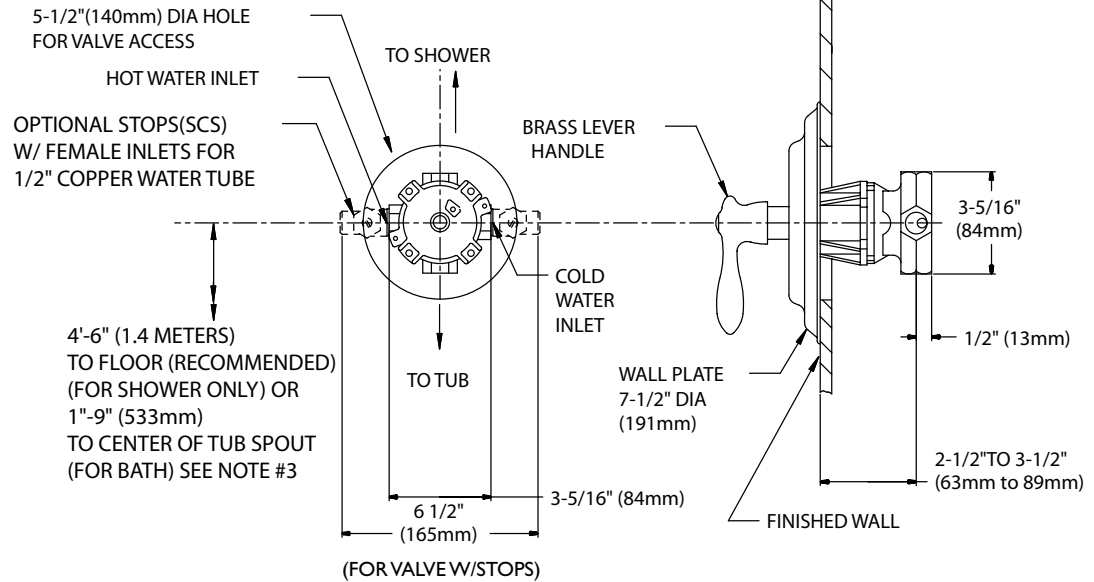
*Contractor packs available upon request.*

This space for Architect/Engineer approval.

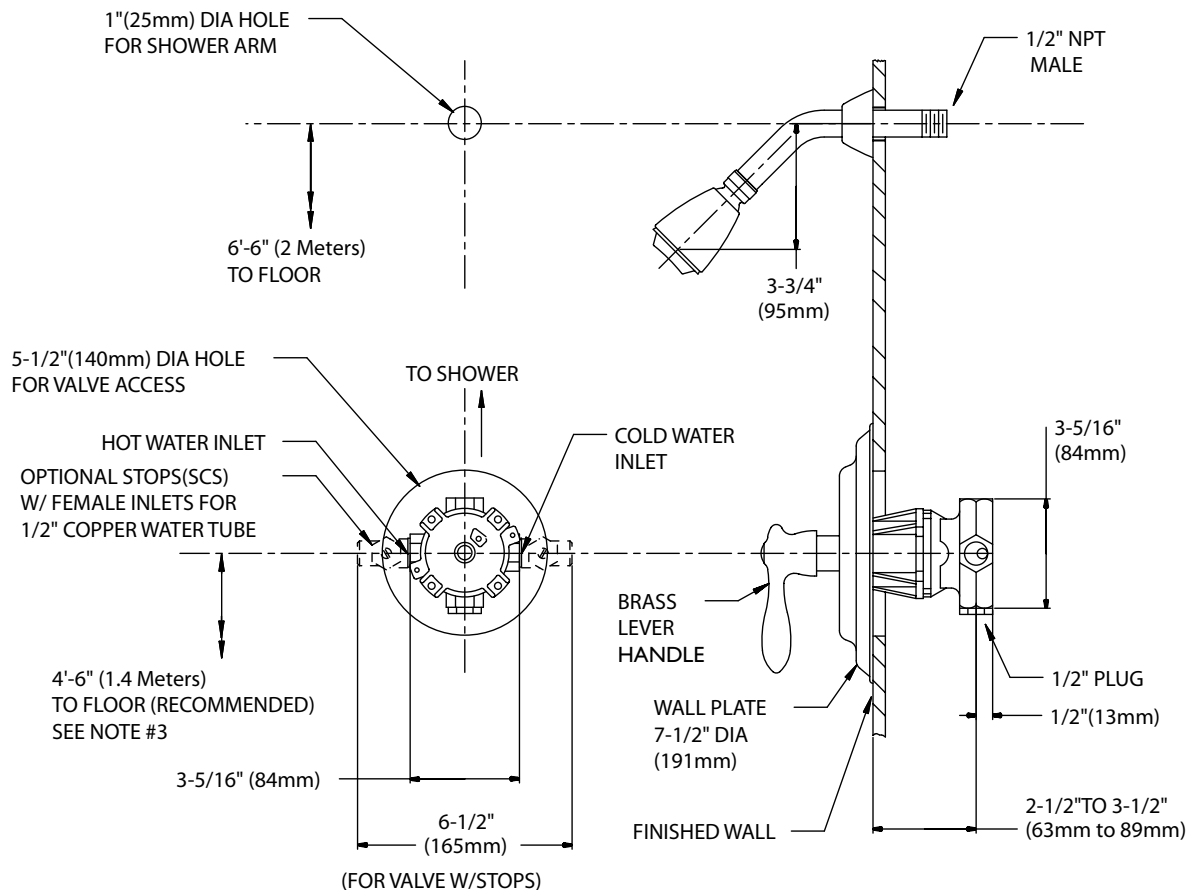


## Rough-Ins

### SM-2000



### SM-2010



NOTE: Unless otherwise specified, all inlets and outlets are 1/2" NPTF. Unless otherwise specified, all dimensions are in inches and are subject to change without notice. For ADA mounting locations consult ADAAG, ANSI A117.1, or state regulations.