

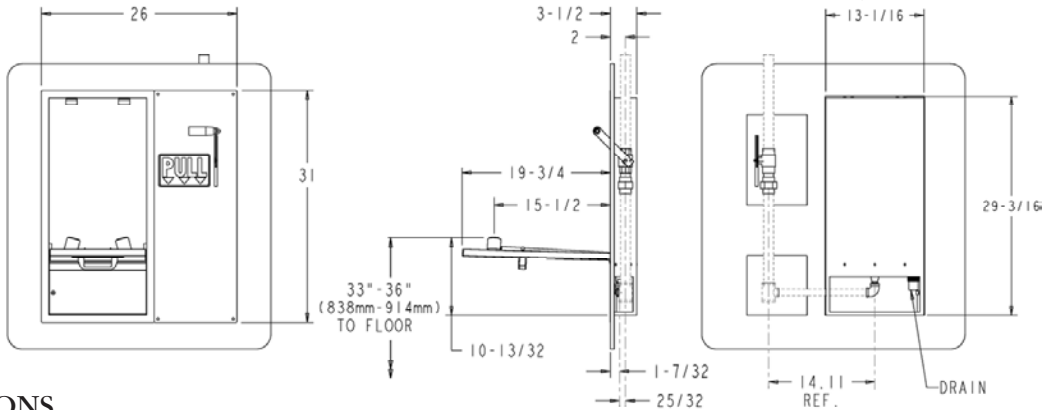
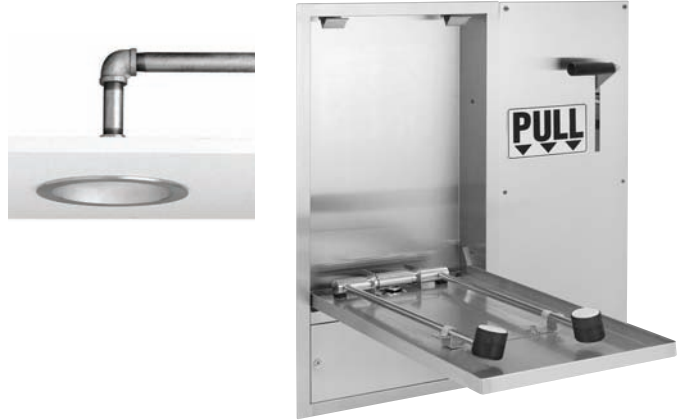
SPEAKMAN®

SE-575-DP-237

ADA COMPLIANT SWING ACTIVATED EYEWASH

DESCRIPTION

SE-575-DP-237 is a combination recessed, wall mounted swing down eyewash with an integral drain pan and a wall activated deluge shower. The eyewash features a stainless steel cabinet and activates automatically as the spray arms are pulled downwards. The extended arms provide for easy accessibility for persons with physical disabilities and a lockable access panel provides for easy serviceability from the front of the unit. The shower features a recessed chrome-plated shower head, stainless steel access panel and activates when the handle is pulled downwards.



SPECIFICATIONS

EYEWASH

- Spray Heads:** (2) Brass, chrome-plated
- Valve:** Brass, chrome-plated
- Activation:** Swing activated.
- Inlet:** 1/2" NPT female
- Cabinet:** 304 Stainless Steel with satin finish
- Door (Drain Pan):** 304 Stainless Steel with satin finish
- Eyewash Flow:** 3 gpm @ 30 psi
- Compliance:** ANSI Z358.1
- Universal Emergency Sign Included**

OPTIONS

- FLW Flow switch
- ILS In-line strainer
- SSH Stainless steel showerhead

SHOWER

- Showerhead:** 10" Flush mounted, polished chrome plated.
- Flow Control:** Internal 20 gpm regulator
- Valve:** 1" NPT, stay-open valve.
- Access Panel:** Type 304 Stainless Steel.
- Activator:** Wall mounted stainless steel lever with black plastic rotating handle.
- Performance:** 20 gpm @ 20 psi

Job Name _____
Location _____
Architect/Engineer _____
Sales Representative _____
Wholesaler _____
Date _____ Model # _____