

## COMMANDER®

### Healthcare Fittings

**SC-7121**




**GENERAL SPECIFICATION**

Polished chrome plated Commander two handle laboratory faucet with 1/4 turn ceramic cartridges covered by a 25-year warranty. Accommodates installations up to 2-1/4" thick. 5-1/4" deep gooseneck spout, rigid or swivel. Vandal-resistant flow control reduces flow to 2.2 gpm/8.4 lpm. Meets ASME A112.18.1/CSA B125.1 and NSF61.

**SC-7121**

Laboratory faucet with vandal-resistant four arm handles.

**SC-7122** 

Laboratory faucet with vandal-resistant lever handles.

**OPTIONS**

SUFFIX	DESCRIPTION
<input type="checkbox"/> BO	0.5 gpm flow control, vandal-resistant
<input type="checkbox"/> FC*	2.0 gpm laminar flow control, plain end spout
<input type="checkbox"/> GB	1.5 gpm flow control, vandal-resistant
<input type="checkbox"/> LF	2.2 gpm laminar flow control outlet
<input type="checkbox"/> MI	Metal index for handles
<input type="checkbox"/> SO	Rose spray outlet
<input type="checkbox"/> 4*	3-3/4" deep spread gooseneck spout, rigid or swivel
<input type="checkbox"/> 8*	8" deep spread gooseneck spout, rigid or swivel
<input type="checkbox"/> 9*	9" deep tubular swing spout, rigid or swivel
<input type="checkbox"/> 12*	12" deep tubular swing spout, rigid or swivel
<input type="checkbox"/> VB6*	6" deep rigid vacuum breaker spout
<input type="checkbox"/> VB8*	8" deep rigid vacuum breaker spout

**SC-7122**



**VACUUM BREAKER OPTIONS**

SUFFIX	DESCRIPTION
<input type="checkbox"/> ST	Serrated tip
<input type="checkbox"/> SW	Swivel spout

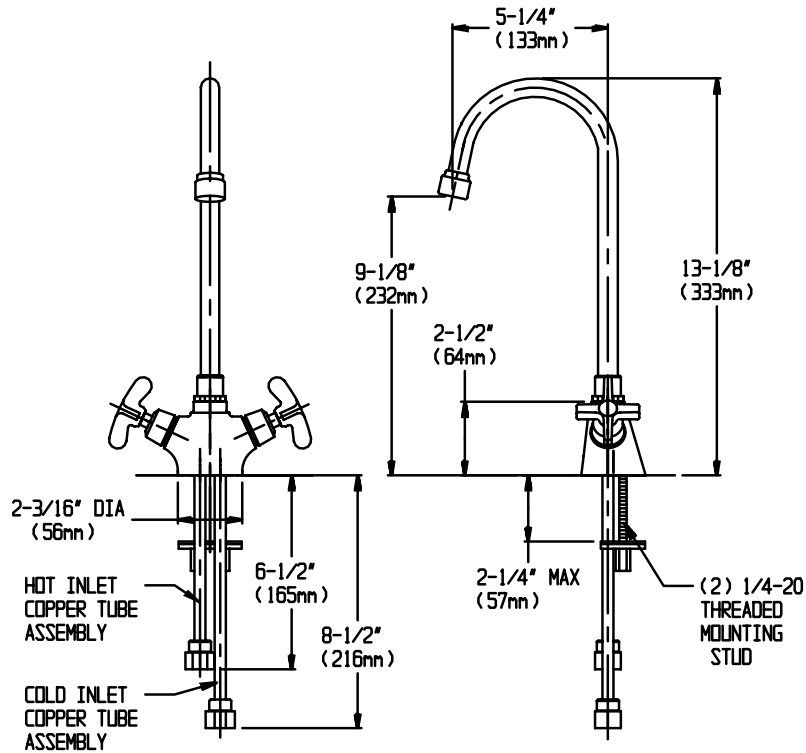
\*See page 183 for optional spout specifications

This space for Architect/Engineer approval.

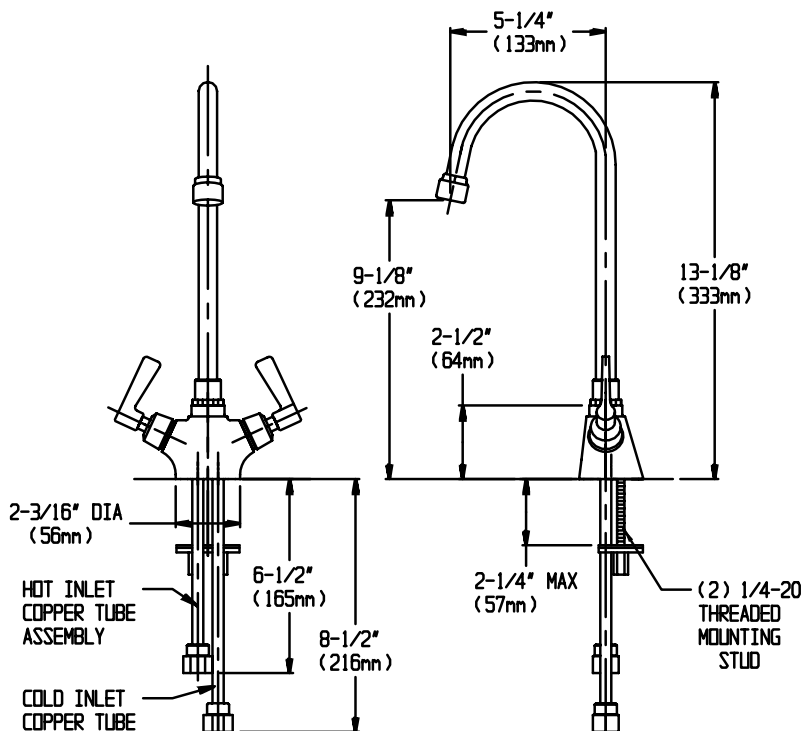


## ROUGH-INS

### SC-7121



### SC-7122



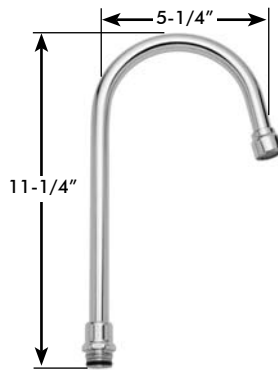
NOTE: Unless otherwise specified, all inlets are 1/2" NPSM. Inlets are sized for coupling connections. All dimensions are in inches unless otherwise specified and are subject to change without notice.



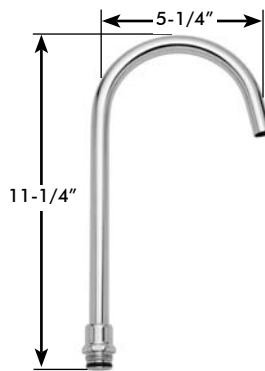
Spout -4, rigid or swivel  
 3-3/4" deep gooseneck



Spout -4FC, rigid or swivel  
 3-3/4" deep plain end gooseneck;  
 laminar flow in base of spout



Spout -5, rigid or swivel  
 5-1/4" deep gooseneck



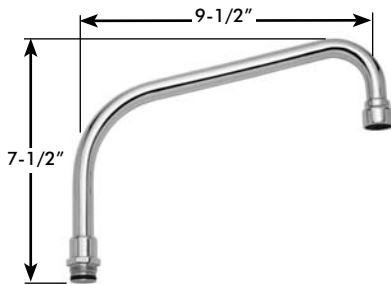
Spout -5FC, rigid or swivel  
 5-1/4" deep plain end gooseneck;  
 laminar flow in base of spout



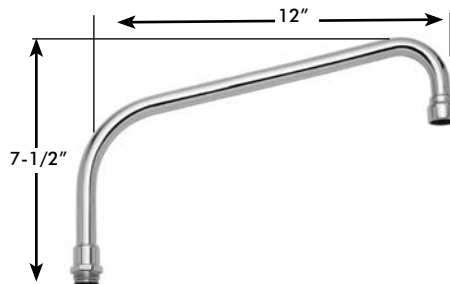
Spout -8, rigid or swivel  
 8" deep gooseneck



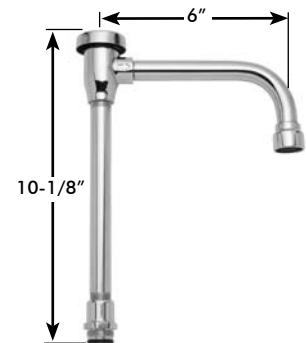
Spout -8FC, rigid or swivel  
 8" deep plain end gooseneck;  
 laminar flow in base of spout



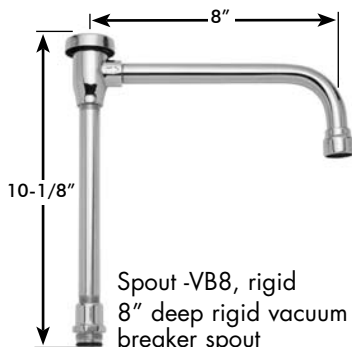
Spout -9, rigid or swivel  
 9" deep tubular swing spout



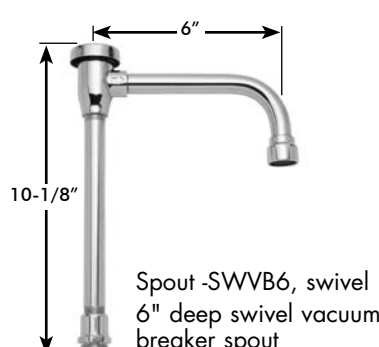
Spout -12, rigid or swivel  
 12" deep tubular swing spout



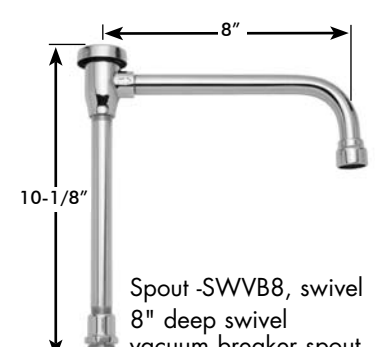
Spout -VB6, rigid  
 6" deep rigid vacuum breaker spout



Spout -VB8, rigid  
 8" deep rigid vacuum  
 breaker spout



Spout -SWVB6, swivel  
 6" deep swivel vacuum  
 breaker spout



Spout -SWVB8, swivel  
 8" deep swivel  
 vacuum breaker spout