

HEALTHCARE

Mixing Valves

GENERAL SPECIFICATION

Polished chrome plated brass double pedal self-closing mixing valve.
Renewable operating units. 1/2" NPTF exposed inlets and outlet.

S-3219



S-3219

Wall mounted valve.

S-3229

Floor mounted valve.

OPTIONS

SUFFIX	DESCRIPTION
<input type="checkbox"/> UAS	Keyed union angle stops (S-3219 only)
<input type="checkbox"/> USS	Keyed union straight stops

S-3229

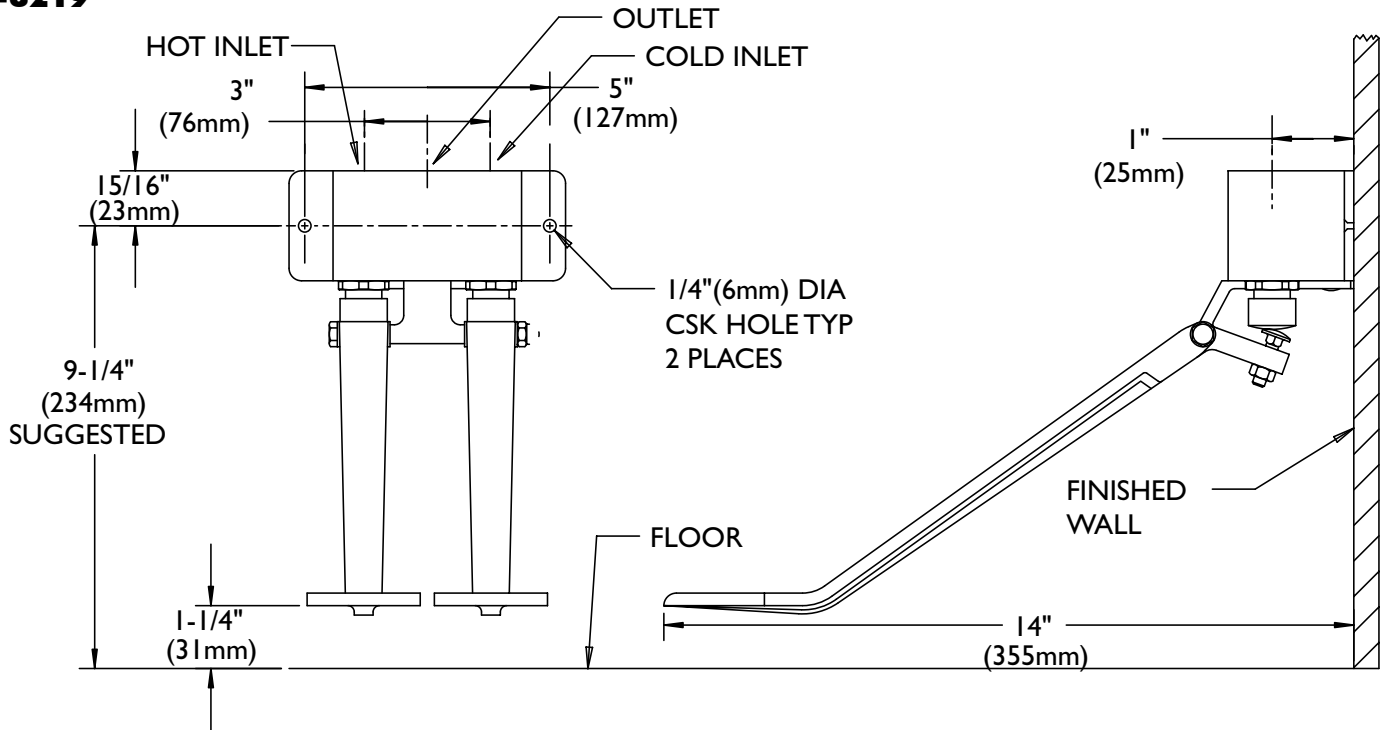


This space for Architect/Engineer approval.



ROUGH-INS

S-3219



S-3229

