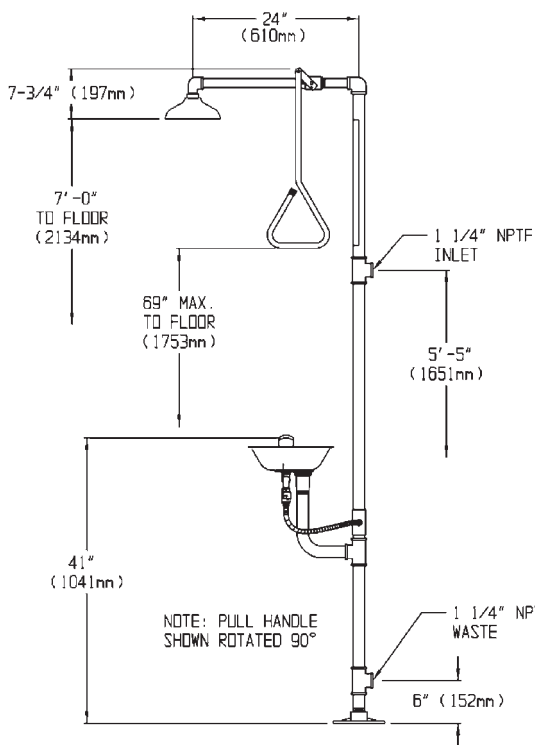
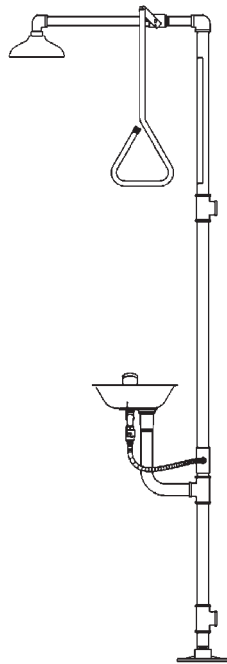


# SPEAKMAN®

## Combination Shower & Eyewash SE-693

SPECIFICATION



### FEATURES:

- 8" Cicolac® yellow plastic showerhead
- Internal 20 gpm restrictor flow control
- 1" NPT female brass, chrome plated, full flow stay-open ball valve
- Powder coated yellow aluminum triangular pull rod activator
- 1 1/4" galvanized steel piping stanchion with brass fittings
- 1 1/4" NPT female inlet & waste
- 20 gpm @ 30 psi

### EYE/FACE WASH: SE-582

- Stainless steel bowl
- (2) aerated yellow plastic spray outlets with flip-top dust caps
- 1/2" NPT female brass, chrome plated, full flow stay-open ball valve
- Stainless steel push handle activator
- 1/2" NPT female inlet
- 3.0 gpm @ 30 psi
- Universal Emergency Sign Included

### COMPLIANCE:

- ANSI Z358.1

### AVAILABLE FINISHES:

- Galvanized Steel (standard)
- Powder coat finish

-PA

### OPTIONS:

ADD SUFFIX TO MODEL #

- |                                |                                 |
|--------------------------------|---------------------------------|
| • 30 GPM REGULATOR             | <input type="checkbox"/> -30GPM |
| • BRASS SHOWERHEAD             | <input type="checkbox"/> -BH    |
| • FLOW SWITCH                  | <input type="checkbox"/> -FLW   |
| • ANTI-FREEZE PROTECTION VALVE | <input type="checkbox"/> -FPV   |
| • HAND & FOOT OPERATION        | <input type="checkbox"/> -HFO   |
| • HAND-HELD SPRAY              | <input type="checkbox"/> -HS    |
| • SELF-CLOSING SHOWER VALVE    | <input type="checkbox"/> -SCV   |
| • ANTI-SCALD PROTECTION VALVE  | <input type="checkbox"/> -SPV   |
| • STAINLESS STEEL PULL ROD     | <input type="checkbox"/> -SPR   |
| • STAINLESS STEEL BALL VALVES  | <input type="checkbox"/> -SSBV  |
| • STAINLESS STEEL SHOWERHEAD   | <input type="checkbox"/> -SSH   |
| • TOP SUPPLY                   | <input type="checkbox"/> -TS    |
| • EXTENDED ALUMINUM PULL ROD   | <input type="checkbox"/> -XPR   |

### WARRANTY:

- 1 year limited

NOTE: 1. All dimensions are in inches (millimeters) unless otherwise specified and are subject to change without notice.

THIS SPACE FOR ARCHITECT/ENGINEER APPROVAL.

# SPEAKMAN®

400 ANCHOR MILL ROAD | NEW CASTLE, DE 19720  
 P: 800-537-2107 | F: 800-977-2747  
 WWW.SPEAKMANCOMPANY.COM



REVISION DATE: FEB. 2012