

# SPEAKMAN®

## SE-582-ADA

### EYESAVER® EYE/FACE WASH

**DESCRIPTION**

The SE-582-ADA Eyesaver® wall mounted eyewash features a stainless steel bowl, dual aerated spray heads with automatic flow controls and flip top dust covers. Unit designed for ADA accessibility.

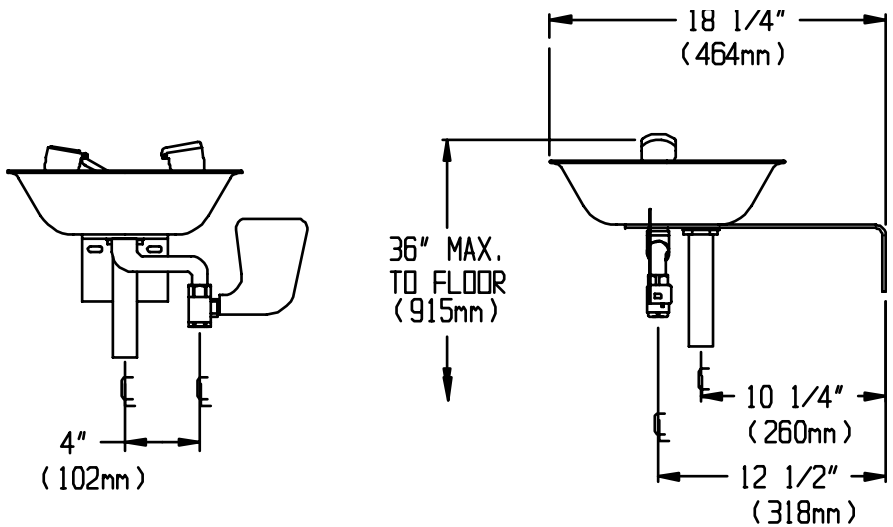
**SPECIFICATIONS**

- Bowl:** 300 series stainless steel
- Spray heads:** (2) aerated yellow ABS plastic spray outlets with flip-top dust caps
- Valve:** ½" NPT female brass, chrome plated
- Activator:** Stainless steel push handle
- Inlet:** ½" NPT female
- Performance:** 3.6 gpm @ 30 psi
- Compliance:** ANSI Z358.1
- Universal Emergency Sign Included**



**OPTIONS**

- FPV Freeze protection valve
- SPV Scald protection valve
- FLW Flow switch
- HS Hand held spray
- PT P-Trap
- SSBV Stainless steel ball valve
- ILS In Line Strainer



Job Name _____
Location _____
Architect/Engineer _____
Sales Representative _____
Wholesaler _____
Date _____ Model # _____