

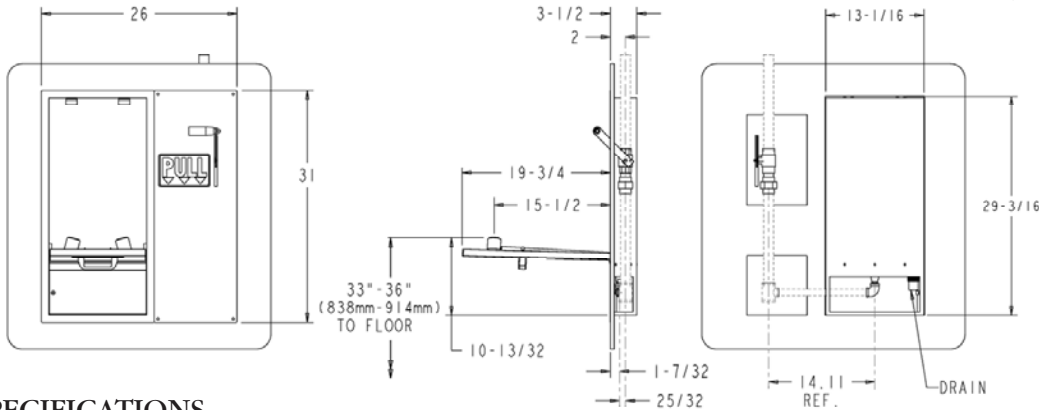
SPEAKMAN®

SE-575-DP-238

ADA COMPLIANT SWING ACTIVATED EYEWASH

DESCRIPTION

SE-575-DP/238 is a combination recessed, wall mounted swing down eyewash with an integral drain pan and a wall activated deluge shower. The eyewash features a stainless steel cabinet and activates automatically as the spray arms are pulled downwards. The extended arms provide for easy accessibility for persons with physical disabilities and a lockable access panel provides for easy serviceability from the front of the unit. The shower features a drop down chrome-plated shower head, stainless steel access panel and activates when the handle is pulled downwards.



SPECIFICATIONS

EYEWASH

Spray Heads: (2) Brass, chrome-plated
Valve: Brass, chrome-plated
Activation: Swing activated
Inlet: 1/2" NPT female
Cabinet: 304 Stainless Steel with satin finish
Door (Drain Pan): 304 Stainless Steel with satin finish
Eyewash Flow: 3 gpm @ 30 psi
Compliance: ANSI Z358.1
Universal Emergency Sign Included

OPTIONS

- FLW Flow switch
- ILS In-line strainer
- SSH Stainless steel showerhead

SHOWER

Showerhead: 8" polished chrome plated.
Flow Control: Internal 20 gpm regulator
Valve: 1" NPT, stay-open valve.
Access Panel: Type 304 Stainless Steel.
Activator: Wall mounted stainless steel lever with black plastic rotating handle.
Performance: 20 gpm @ 20 psi

Job Name _____
Location _____
Architect/Engineer _____
Sales Representative _____
Wholesaler _____
Date _____ Model # _____