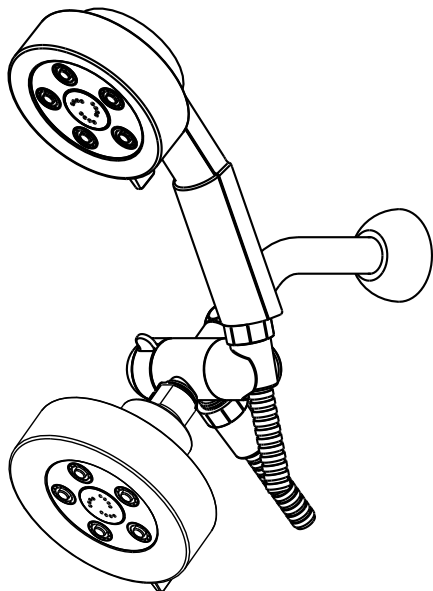


SPEAKMAN®

Shower Combination

VS-232007 VS-233011
VS-233010 VS-233014

SPECIFICATION



VS-233010

MODELS:

- VS-232007
 - VS-2007 hand shower & 60 in. metal hose
 - S-2007 Showerhead
- VS-233010
 - VS-3010 hand shower & 60 in. metal hose
 - S-3010 Showerhead
- VS-233011
 - VS-3011 hand shower & 60 in. metal hose
 - S-3011 Showerhead
- VS-233014
 - VS-3014 hand shower & 60 in. metal hose
 - S-3014 Showerhead

FEATURES:

- VS-114 2-way diverter features:
- Hand shower holder has 5 position settings to adjust hand shower angle.
- No flow control
(flow controls in showerheads)

Available Finishes:

Add suffix to model #

- Polished Chrome (standard)
- Brushed Nickel -BN

Warranty:

- Lifetime limited warranty

SEE REVERSE FOR ROUGH-IN DIMENSIONS

THIS SPACE FOR ARCHITECT/ENGINEER APPROVAL.

SPEAKMAN®

400 ANCHOR MILL ROAD | NEW CASTLE, DE 19720
P: 800-537-2107 | F: 800-977-2747
WWW.SPEAKMANCOMPANY.COM

REVISION DATE: JANUARY 2014

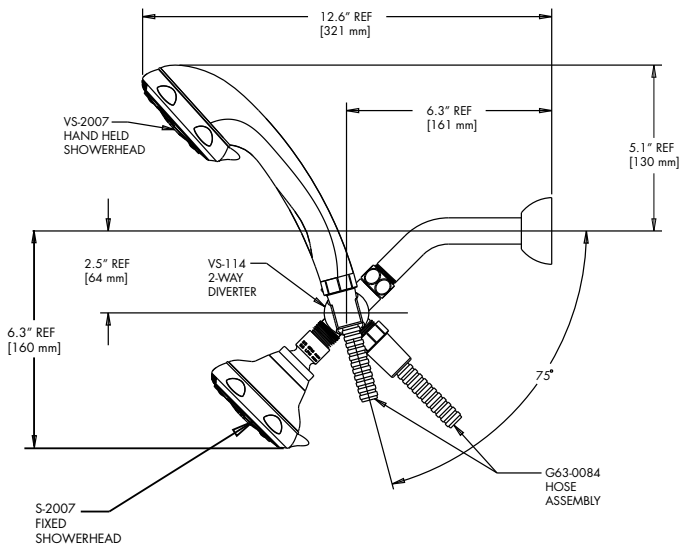
Management Systems
Registered to ISO 9001

SPEAKMAN®

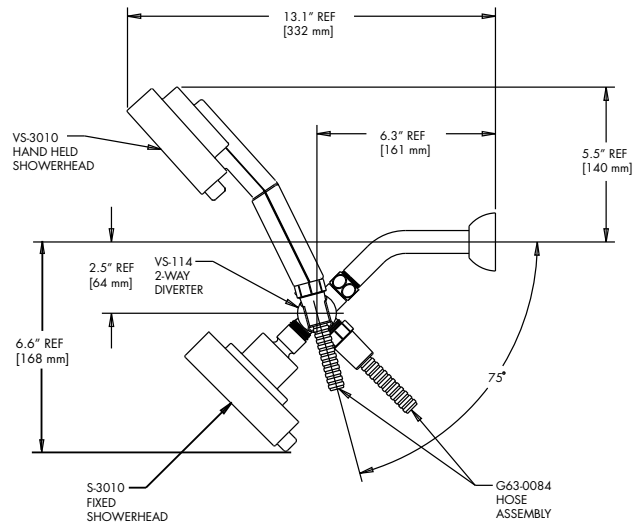
Shower Combination VS-232007, VS-233010, VS-233011, VS-233014

SPECIFICATION

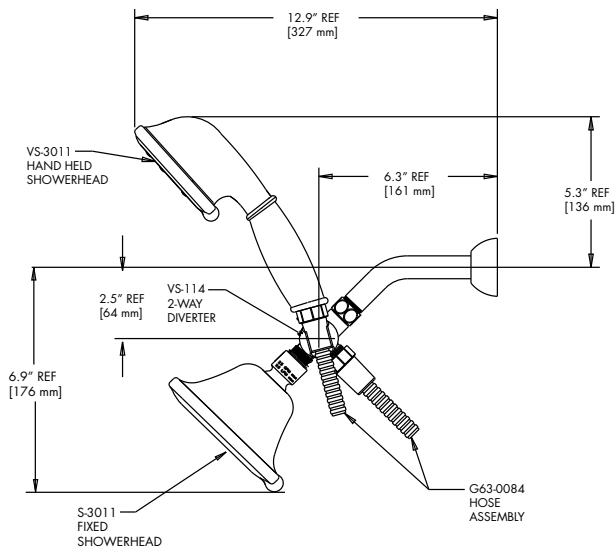
VS-232007



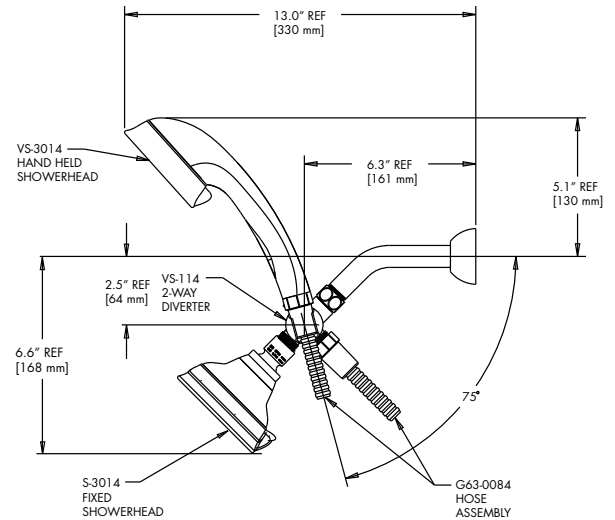
VS-233010



VS-233011



VS-233014



NOTE: 1. All dimensions are in inches (millimeters) unless otherwise specified and are subject to change without notice.

THIS SPACE FOR ARCHITECT/ENGINEER APPROVAL.

SPEAKMAN®

400 ANCHOR MILL ROAD | NEW CASTLE, DE 19720
 P: 800-537-2107 | F: 800-977-2747
 WWW.SPEAKMANCOMPANY.COM

Management Systems
 Registered to ISO 9001

REVISION DATE: JANUARY 2014