

**SPEAKMAN COMPANY**  
**SE-495 Installation, Maintenance & Operation Instructions**  
**EYESAVER® EYE/FACE WASH**

**DESCRIPTION**

Emergency eye/face wash, for wall mounting, supplied with yellow plastic bowl, stay-open full flow ball valve; activated by stainless steel push handle; heavy duty mounting plate, twin spray heads with individual flow restrictors, and flip-off dust covers.

**SPECIFICATIONS**

BOWL: Yellow Polypropylene.  
SPRAY HEADS: (2) Yellow Plastic Spray Outlets, Sprayface, and Dust Covers.  
VALVE: 1/2" NPT Female Brass, Chrome-Plated.  
ACTIVATOR: Stainless Steel Push Handle.  
INLET: 1/2" NPT Female.  
PLATE: Cold -Rolled Steel Powder Coating Safety Green.  
SHIPPING WEIGHT: 9.73 lbs.  
EMERGENCY SIGN: 7-7/8" x 7-7/8" Plastic Wall Sign.

**OPTIONS**

◇ AL1 (Air Horn Alarm)	◇ FPV (Anti-Freeze Protection Valve)
◇ AL3 (Electrical Alarm)	◇ SPV (Anti-Scald Protection Valve)
◇ AL2-C1D2 (Electrical Alarm / Haz. Area)	◇ SSBV2 (1/2" Stainless Steel Valve)
◇ AL3-C1D2 (Electrical Alarm / Haz. Area)	◇ PT (1 1/4" P-Trap)
◇ FLW (Flow Switch)	◇ HFO (Hand Foot Operation)
◇ VPL (Vapor Proof Light)	◇ ILS (In-Line Strainer)
◇ HS (Hand-held Spray)	◇

**INSTALLATION**

Review drawing (as shown on other side) to assure proper installation. The unit should be mounted to a structural member that will ensure structural rigidity. Use appropriate wall anchors and be sure the wall bracket is level to ensure proper flow pattern, and to avoid unnecessary water spillage. Connect a water supply to the unit (use pipe sealant on all joints) that is a 1/2" minimum uninterrupted source of potable water. Failure to use potable water can result in emergency units producing impure or contaminated water causing possible further injury. The drain tailpiece or waste should be connected to an adequate drain in compliance with local plumbing codes.

**OPERATION**

The eye/face wash is activated by pushing the push handle back 90°. The unit will continue to operate until the push handle is manually pulled back to the off position.

**TESTING PROGRAM**

The American National Standards Institute (ANSI) states that all safety emergency equipment shall be activated on a weekly basis to flush the line and verify proper operation. Speakman Company furnishes a testing record tag (91-0635) with each unit. On this tag the date of inspection and the inspectors initials should be noted.

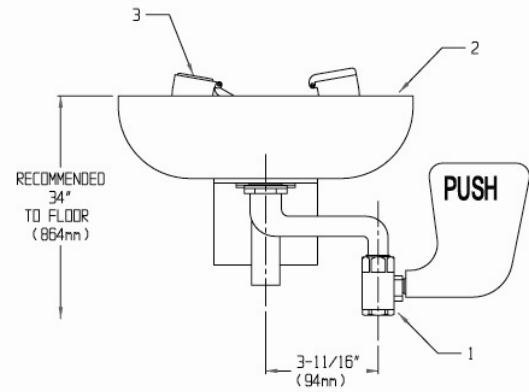
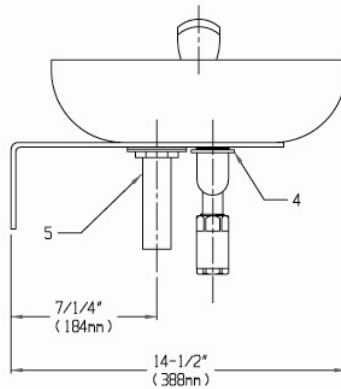
**MAINTENANCE**

Should you need parts to repair this unit, please reference the parts list below for the correct part numbers. Reference additional technical sheet (supplied) for information on the SE-910 valve. Before any maintenance is done **be sure to shut the water supply off.**

**WARNING:** Use only genuine Speakman parts when repairing or replacing components. To order parts call 1-800-537-2107.

**SE-495 REPLACEMENT/REPAIR PARTS**

<b>ITEM</b>	<b>PART/GROUP #</b>	<b>DESCRIPTION</b>
1	SE-910	1/2" Stay-Open
2	RPG68-0072	Bowl Replacement
3	RPG05-0715	Spray heads and Bullhorn
4	RPG05-0814	Washers
5	RPG05-0853	Drain



**FLOW DATA**

EYE/FACE WASH:

FLOW PRESSURE PSI (BAR)	30 (2.07)
FLOW RATE GPM (LPM)	4.09 (15.48)

NOTE: This unit should be connected to an uninterrupted source of potable water, with a minimum flowing pressure of 30 PSI and a maximum static pressure of 125 PSI.

Note: All units meet existing ANSI Z358.1 Standards and OSHA Rules. Product improvements may cause specification and dimensional changes without notice.