

Electric Grooming Table With Foldable Arm

- Lifts up to 180 lbs
- 41"L x 24"W x 3" thick tabletop
- Height adjusts from 20" to 44"
- Heavy-duty steel construction
- Durable, rust-resistant, powder-coated finish
- Convenient hooks for hanging tools
- Ultra quiet operation

SAVE THESE INSTRUCTIONS • IMPORTANT SAFEGUARDS

Basic safety instructions should be followed when using electrical appliances, including the following:

READ ALL INSTRUCTIONS BEFORE USING. DESIGNED FOR ANIMAL USE ONLY.

OPERATING INSTRUCTIONS:

This table is designed for use on alternating current 120V only. This grooming table also has a polarized plug (one blade is wider than the other). As an important safety feature, this plug is intended to fit into a polarized outlet only one way. If the plug does not fit fully in the outlet, reverse the plug. If it still does not fit, contact a qualified electrician to install the proper outlet. Do not attempt to modify the plug in any way. This table is also designed with an automatic shut-off. Motor, transformer, and cord are all UL Approved. We recommend that this table be used with a surge protector at all times.

TABLE OPERATION:

1. Before use, make sure table is level by turning leveling feet under each base leg. Plug cord into any standard 110/120 wall outlet.
2. This grooming table is equipped with identical up and down control pedals located on each side of the table base.
3. The pedal on your right as you are facing the table moves the table up; the pedal on your left moves the table down.
4. To reduce strain and unnecessary lifting of large animals, it is recommended to lower the table to the minimum height and let animal step up onto table before positioning table at desired height for grooming.
5. Once animal is positioned on table, place the grooming loop that is attached to grooming arm around animal's neck and adjust loop to fit comfortably.

ASSEMBLY OF FOLDABLE GROOMING ARM:

1. Place arm support base on edge of grooming table and tighten bolt clamp to secure to tabletop.
2. Loosen height adjustment knobs and slide grooming arm post at both top and bottom until it is at desired height. Tighten knobs to lock into place.
3. Swing foldable arm over post until it is positioned over table perpendicular to grooming post.
4. Attach grooming loop to eye-screw at top of arm.
5. Fold arm back against post when not in use.

CARE & MAINTENANCE:

Unplug table. Wipe off tabletop with a sponge or damp cloth and mild cleaner after use. Use mild soap and water, or a non-caustic cleaner. Tabletop can also be disinfected using a diluted solution of Top Performance® Cherry-256™, Lemon-256™, Wintergreen-256™, or a diluted bleach and water solution. Periodically vacuum or dry wipe lifting mechanism to keep it free of hair and debris. Base can also be cleaned when needed with damp cloth or sponge. Dry off any excess water. Check electric cord and plug for signs of damage or wear.

TROUBLESHOOTING:

In rare cases, some electrical connections may be jostled loose during shipment. If controls do not operate once the table is plugged in, please read the following steps for either checking and reconnecting a loose wire in the control box or replacing the transmission shaft.

Tools Required: Phillips Screwdriver, Open End Wrench, Allen Wrench

Problem: Table Does Not Turn On.

Possible Causes: Table Not Plugged In, Control Box Connections Loose, Transformer Defective.

1. Check that table is plugged into a working outlet.
2. Check connections in Control Box (Diagram 1, A).

To Check Control Box (A):

1. Unplug table and turn it on its side so that black wire cover panel on side of frame is facing top and easily accessible. Using a phillips screwdriver, unscrew the six screws along the side of the bottom panel of the Control Box (A) to uncover transformer.
2. Make sure both of the “M” Plugs (A-1) (black wires) are securely fastened to the transformer socket.
3. Ensure all plug connections for the foot pedals (gray wires) are securely fastened (A-3).
4. Check Transformer for damage. If damaged, unscrew two screws on the top panel of the Control Box and remove metal frame from around Transformer (A-2).
5. To replace Transformer, unplug connections, slide metal frame around Transformer and insert into Control Box. Screw into place to secure.
6. Reattach back panel onto the Control Box and screw into place.

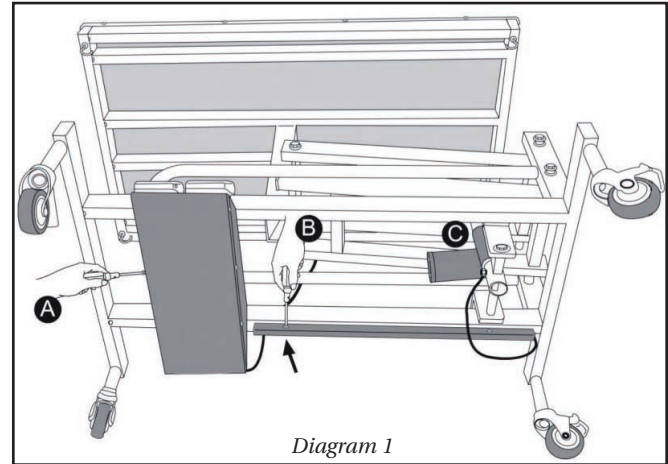


Diagram 1

Problem: Table Does Not Raise or Lower After Table is Turned On.
Possible Causes: Transmission Cable or Shaft May Be Defective.

To Check Transmission Cable (B) (see Diagram 2):

1. Unscrew black protective cover from wire connecting the Transmission Shaft to the Control Box (located along side of table base).
2. Inspect wire for any damage.
3. Leave protective cover off until you finish checking Transmission Shaft.

To Replace Transmission Shaft (C) (see Diagram 3):

1. Using a wrench, loosen and remove the small bolt holding the Transmission Shaft to the bottom of the table base (C-1).
2. Loosen and remove the large bolt holding the Transmission Shaft to the top of the table base (C-2).
3. Using either an allen wrench on the bolt end or an open end wrench on the nut, loosen and remove the bolt to disconnect end of Transmission Shaft (C-3).
4. Disconnect plug ends from Transformer socket. Remove Transmission shaft.
5. Slide new Transmission shaft into place and reattach bolts.
 Note: Fasteners on end should have longer fastener on bottom and shorter on top to correctly position shaft (C-4).
6. Run wire along table frame and reattach protective metal cover to secure. Make sure all excess cable length is left on the end near the Control Box.
7. Snap plastic guard over wire and insert guard in slot in side of Control Box. Exposed wire should be snug to box.
8. Attach cable plugs into Transformer socket and place excess wire into Control Box.
9. Reattach bottom panel on Control Box and screw into place to secure.

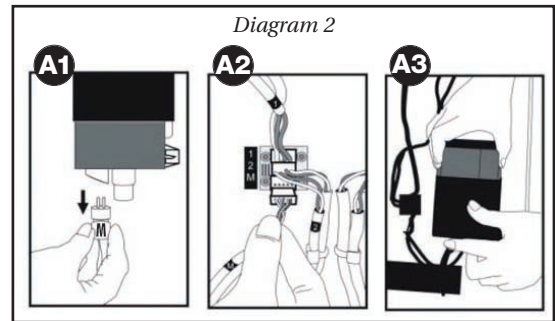


Diagram 2

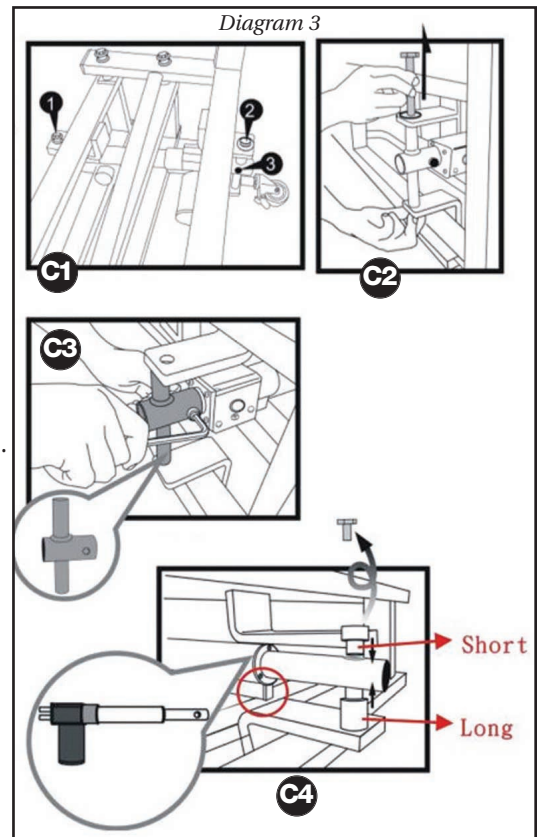


Diagram 3

CAUTION:

Do not leave an animal on the table unattended. Use a grooming loop to properly restrain animal. Quick release loops or clips are recommended to prevent injury in case animal accidentally jumps off the table. Do not use a choke type lead or collar.

WARNING:

To reduce the risk of burns, fire, electrical shock, or injury to persons or pets:

1. Do not leave grooming table plugged in when unattended.
2. Do not allow unsupervised children to play near or operate the table.
3. Do not immerse motor in water or other liquids.
4. Unplug this table before cleaning or servicing.
5. Use this table only for its intended use as described in this manual. Do not use attachments not recommended by the manufacturer.
6. Never operate this grooming table if it has a damaged cord or plug, or if it is not working properly. If table is not working or is damaged, contact PetEdge Customer Service at 1-800-638-5754.
7. Keep cord away from heated surfaces.
8. Do not place or store this table where it may be damaged by an animal or exposed to weather.
9. Do not pull, twist, or wrap cord around table base. Continuous stress on cord can cause damage and result in a shock hazard.
10. While operating grooming table, be careful of tangling cord. If cord becomes kinked or tangled, straighten cord before resuming use.
11. Adjust table height before pet is on the table to prevent motion of table from startling pet.

LIMITED WARRANTY

This Master Equipment™ product is warranted against defective material or workmanship for one year from the date of purchase. Any Master Equipment™ product that is determined to be defective in material or workmanship during the warranty period will be repaired or replaced without cost to the consumer for parts or labor. Please contact PetEdge Customer Service at 1-800-638-5754 regarding any defective product. PetEdge will not be liable under this warranty for any defect, failure, or malfunction of this product caused by normal wear, abuse, misuse, unauthorized adjustments, or repairs. PetEdge will not be liable for any incidental or consequential damages of any type. Any implied warranty is limited to the one-year period provided in this express warranty. Some states do not allow limitations on how long an implied warranty lasts or exclusion or limitation of incidental or consequential damages, so the above limitations or exclusions may not apply to you. Warranty is void if product has been modified in any manner, repaired by anyone other than PetEdge or has been subject to unreasonable use. Warranty is valid in the United States.

Date Purchase: _____ **Model #** _____

Master Equipment™ Electric Grooming Table TP15140
Manufactured for / Fabricado para / Fabriqué pour
©Tops Pet Products, Topsfield, MA 01983
Manufactured in / Fabricado en / Fabriqué a Taiwan