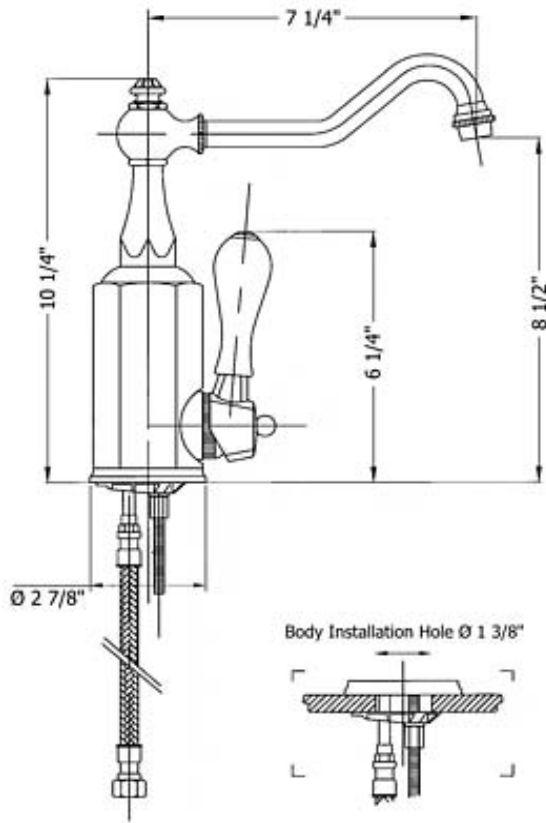


4130 - 'Monarque' Single Lever Mixer



Part#	Description
26	Mounting Plate
27	Brass Washer
28	Brass Hex Nut

Technical Information

- Faucet Body Requires 1 3/8" Hole Drilling
- Flow Rate Is 2.2 GPM
- If Counter Is Thicker Than 1 3/4", Part #24 (Threaded Stem) Must be Special Ordered in a Longer Length.
- 3/8" Flexible Hose Connections
- Available finishes are Polished Chrome(48), Solibrass(49), Polished Brass(55), Polished Nickel(56), Brushed Nickel(57), Polished Copper & Brass(58), Weathered Copper & Brass(59), Satin Nickel(60)
- Please See Cleaning Instructions for Finish Care and Maintenance Information
- Faucet Ships With Wood Handles (63). Specify (20) For Ceramic Handles

Part#	Description
1	Top Knob
2	Finished Washer
3	Spout 7 1/4"
4	Spout Washer
5	Aerator Filter
6	Aerator Cover
7	Sealing Screw
8	Rubber O-Rings
9	Upper Body
10	Main Body
11	Ceramic Cartridge
12	Cartridge Nut
13	Handle Base
14	Round Screw
15	Handle
16	Finished Washer
17	Finished Screw
18	Threaded Stem
19	Male/Male Adapter
20	Swan Nut Adapter
21	Inner Body
22	Escutcheon
23	Rubber Washer
24	Threaded Stem
25	Flexible Supply Hose

Please follow example when ordering parts for 'Monarque' Single Lever Mixer

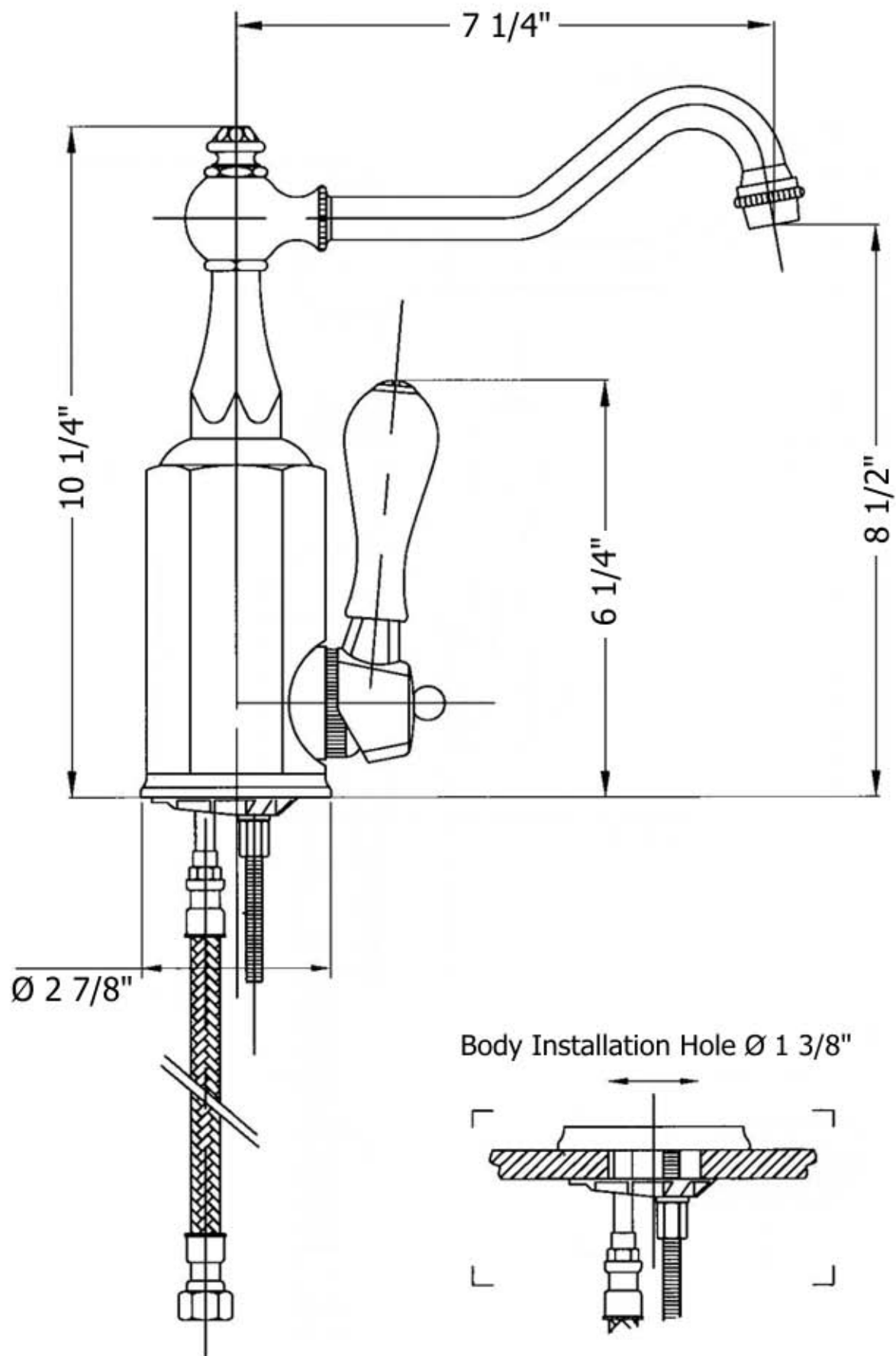
- To order part #3 – **SPOUT**
 - 9413003 xx
- Please substitute finish number needed in place of **XX**.

To order a part that is not finished use **00**



Herbeau®
L'Art du Sanitaire depuis 1857

4130 - 'Monarque' Single Lever Mixer



4130 - 'Monarque' Single Lever Mixer

