



# ASSEMBLY GUIDE

## “Hometown” Arbor

ARBR1 [10.11.12]

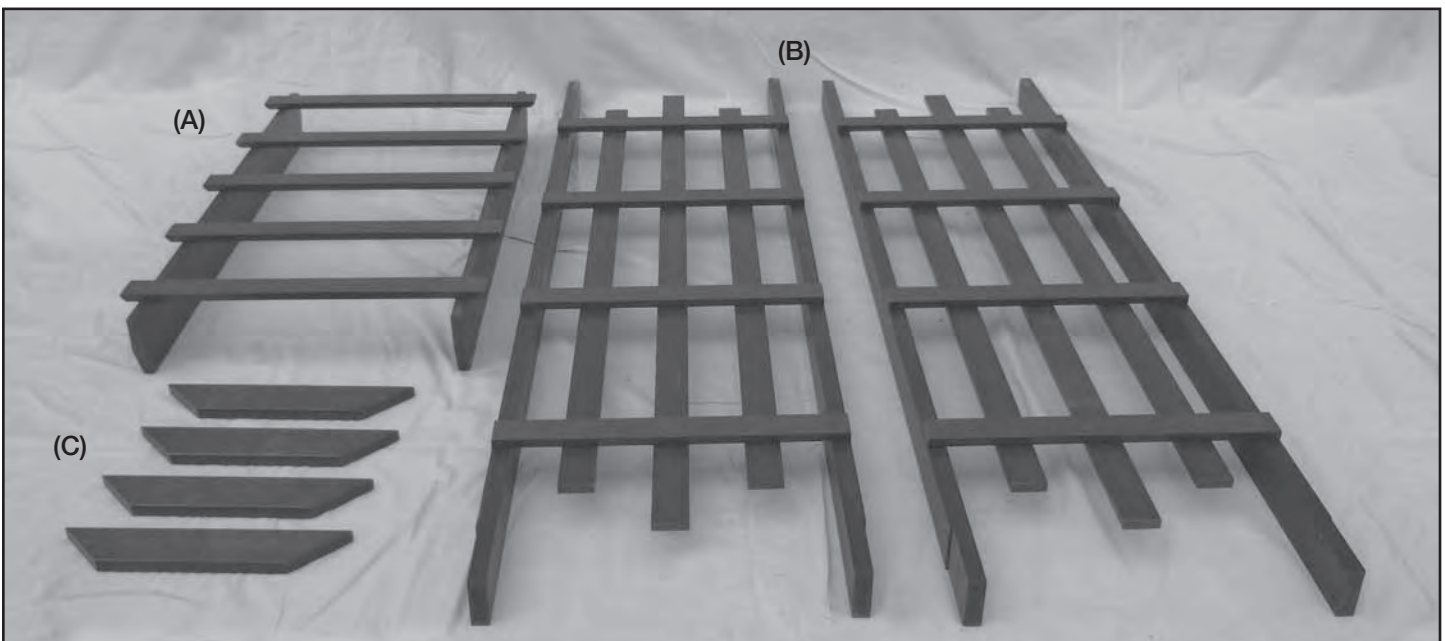
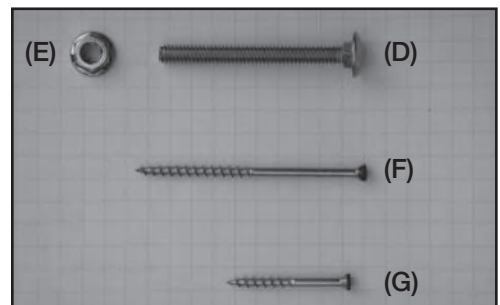


### TOOLS

- Screwdriver/Square bit #1  
(Power screwdriver/Square bit #1 recommended)
- 7/16" Wrench  
(Socket wrench recommended)
- Hammer

### COMPONENTS

Part	Description	Qty
(A)	Top panel	1
(B)	Side panel	2
(C)	Corner brace	4
(D)	Carriage bolts	8
(E)	Flange nuts	8
(F)	3" stainless steel screws	4
(G)	1-5/8" stainless steel screws	12
	Square bit #1	1



ARBR1 [10.11.12]

# Before you start

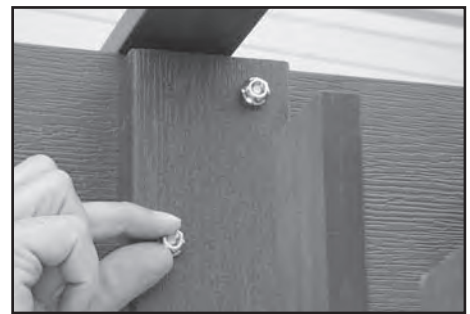
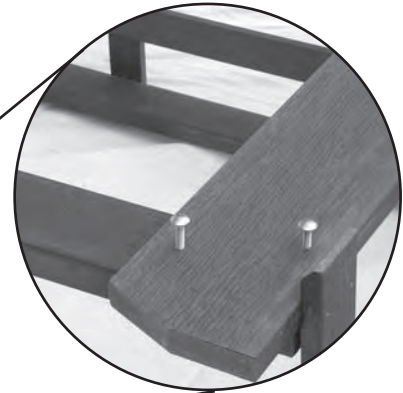
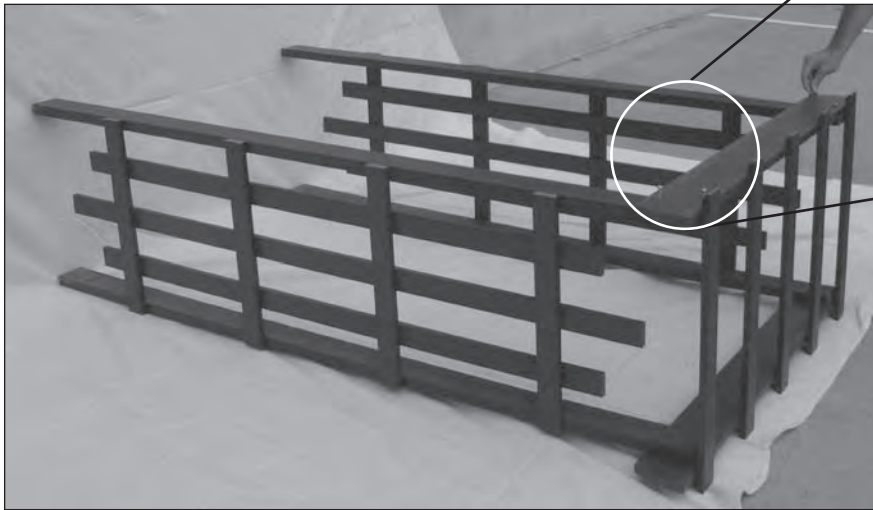
We recommend that two people assemble this item and that the item is assembled on a flat surface... grass is ideal!

## STEP 1

### Attach side panels to top panel

Connect Side panels (B) to Top panel (A) using two Carriage bolts (D) and two Flange nuts (E) per side, ensuring that a perfect U shape is maintained between the three pieces. Holes are pre-drilled for the Carriage Bolts to pass through, but use a hammer to firmly tap the bolt end several times so that the square neck sinks into the *highwood*<sup>®</sup> material.

**Note:** Do not tighten until advised to do so in Step 2.



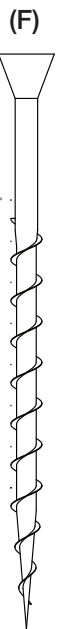
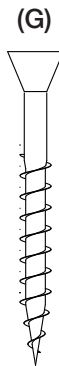
## STEP 2

### Attach corner braces

Stand the arbor up and attach the four Corner braces (C). Hold brace in position checking that the top of the brace is flush with the top of the crossbar. Fasten brace from inside the structure into Top panel using three 1-5/8" screws (G) into pre-drilled holes. Attach to Side panel using one 3" Screw (F) into the pre-drilled hole. Repeat this for all four corner braces... always taking care that the arbor remains in a perfect U shape and that the braces are flush against the structure.

After all four braces are in place, firmly tighten the flange nuts. **Your arbor is now completed.**

Since arbors can be installed on/in so many surfaces, there are no brackets or accessories included to secure the arbor into its final location. For grass and soft surfaces we suggest simple pegs/hooks, available from most hardware stores. For hard surfaces, brackets and screws can be used to attach the base of the arbor to its surface...remember that *highwood*<sup>®</sup> is just like real wood and holds a screw very well!



## Enjoy your *highwood*<sup>®</sup> "Hometown" Arbor!

For information on Care and Cleaning your *highwood*<sup>®</sup> product visit [www.highwood-usa.com/care.html](http://www.highwood-usa.com/care.html)

Visit our Website and Facebook page to see more *highwood*<sup>®</sup> products!

[www.highwood-usa.com](http://www.highwood-usa.com) • [www.facebook.com/highwoodUSA](http://www.facebook.com/highwoodUSA)