

ELKAY[®]

SPECIFICATIONS

Harmony[®] Undermount Single Bowl Sink Models ELU1618 and ELUH1618

GENERAL

Highest quality sink formed of #18 (1.2mm) gauge, type 304 (18-8) nickel bearing stainless steel. Undermount.

DESIGN FEATURES

Bowl Depth: 9-1/2" (241mm).

Finish: Exposed surfaces are hand blended to a Lustrous Satin finish.

Underside: Underside of sink is fully protected by heavy duty Sound Guard™ undercoating to reduce condensation and dampen sound.

OTHER

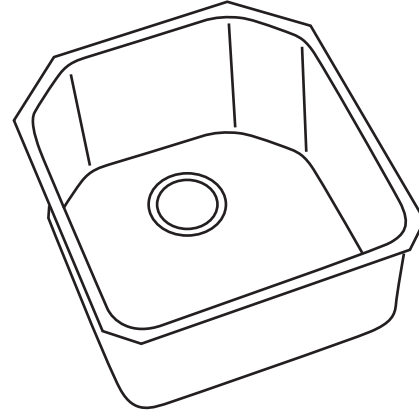
Drain Opening: 3-1/2" (89mm).

Note: All Elkay undermount sinks are designed to affix to the underside of any solid surface countertop.

Sinks comply with ASME A112.19.3-08/CSA B45.4-08.



These sinks are listed by the International Association of Plumbing and Mechanical Officials as meeting the requirements of the Uniform Plumbing Code.



Model ELU1618

OPTIONAL ACCESSORIES

Bottom Grid: LKWOBG1618SS.

Cutting Boards: CB1713, CBS1316 (ELUH model only).

Drain: LK99.

Rinsing Baskets: LKWRB1618SS, LKWERBSS.

Utensil Caddy for Rinsing Basket: LKWUCSS.

Mounting Clip: LKUCLIP8

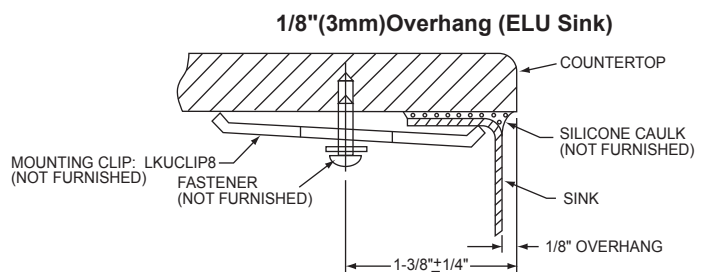
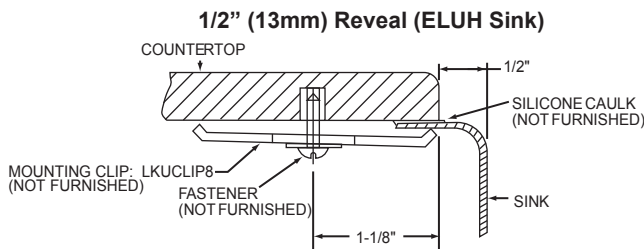


SINK PACKAGE(S)

| MODEL | SINK | BOTTOM GRID | QTY | DRAIN | QTY |
|-------------|----------|--------------|-----|-------|-----|
| ELU1618DBG | ELU1618 | LKWOBG1618SS | 1 | LK99 | 1 |
| ELUH1618DBG | ELUH1618 | LKWOBG1618SS | 1 | LK99 | 1 |

Installation Profile of ELU and ELUH Single Bowl Models

The template provided with each sink provides the only type of installation recommended by Elkay.



SEE OTHER SIDE FOR PRODUCT DIMENSIONS.

In keeping with our policy of continuing product improvement, Elkay reserves the right to change product specifications without notice. Please visit elkayusa.com for most current version of Elkay product specification sheets.

This specification describes an Elkay product with design, quality and functional benefits to the user. When making a comparison of other producers' offerings, be certain these features are not overlooked.

**Harmony® Undermount Single Bowl Sink
Models ELU1618 and ELUH1618**

**ELKAY®
SPECIFICATIONS**

SINK DIMENSIONS*

| Model Number | Overall | | Inside Bowl | | | Cutout in Countertop | Minimum Cabinet Size |
|--------------|-------------------|-------------------|---------------|---------------|------------------|----------------------|----------------------|
| | L | W | L | W | D | | |
| ELU1618 | 17 1/2 (445mm) | 19 1/2 (495mm) | 16 (406mm) | 18 (457mm) | 9 1/2 (241mm) | See Template** | 21 (533mm) |
| ELUH1618 | 18 1/2 (470mm) | 20 1/2 (521mm) | 16 (406mm) | 18 (457mm) | 9 1/2 (241mm) | | 24 (610mm) |

*Length is left to right. Width is front to back.

**Template packed with every sink.

