

ELKAY® SPECIFICATIONS

Harmony® Undermount Single Bowl Sink Model ELU2118 and ELUH2118 Series

GENERAL

Highest quality sink formed of #18 (1.2mm) gauge, type 304 (18-8) nickel bearing stainless steel. Select models available with Statement feature. Undermount.

DESIGN FEATURES

Bowl Depth: 7-1/2" (191mm) (ELU[H]2118), 10" (254mm) (ELU[H]211810).

Finish ELU2118(10): Exposed surfaces are hand blended to a Lustrous Satin finish.

Finish ELUH2118(10): Exposed surfaces are hand blended to a Lustrous Highlighted Satin finish.

Underside: Underside of sink is fully protected by heavy duty Sound Guard® undercoating to reduce condensation and dampen sound.

OTHER

Drain Opening: 3-1/2" (89mm).

NOTE: All Elkay undermount sinks are designed to affix to the underside of any solid surface countertop.

Sink complies with ASME A112.19.3-2008 / CSA B45.4-08.



These sinks are listed by the International Association of Plumbing and Mechanical Officials as meeting the requirements of the Uniform Plumbing Code.

OPTIONAL ACCESSORIES

Bottom Grid: LKWOBG2118SS

Cutting Board (ELUH models only): CB2213

Drain: LK99

Rinsing Baskets: LKW RB2118SS, LKWERBSS

Utensil Caddy for Rinsing Basket: LKWUCSS

Mounting Clip: LKUCLIP8

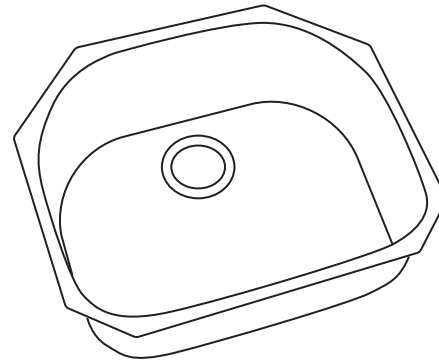
SINK PACKAGE(S)

MODEL	SINK	BOTTOM GRID	QTY	DRAIN	QTY
ELU211810DBG	ELU211810	LKWOBG2118SS	1	LK99	1
ELU2118DBG	ELU2118	LKWOBG2118SS	1	LK99	1
ELUH211810DBG	ELUH211810	LKWOBG2118SS	1	LK99	1
ELUH2118DBG	ELUH2118	LKWOBG2118SS	1	LK99	1

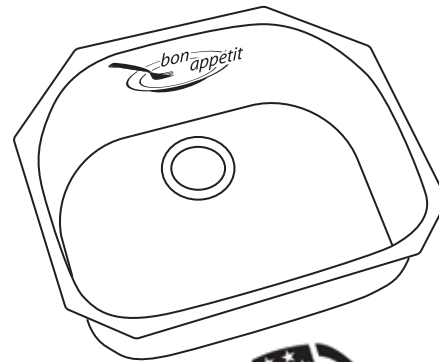
OPTIONAL STATEMENT FEATURE

Part No. Suffix for Statement Option	Pattern Name	Pattern Graphic	Pattern Style & Location
BAP	Bon Appetit		Patch – rear wall only, in the left bowl.
BLS	Blossom		Border – all around the sink bowls
GFT	Greek Fret		Border – all around the sink bowls
GRK	Garland Kitchen		Border – all around the sink bowls
CST	Cornerstone		Patch – rear wall only.
CST2010	Cornerstone		
CST2011	Cornerstone		
CST2012	Cornerstone		
VIN	Vino		Border – all around the sink bowls

In keeping with our policy of continuing product improvement, Elkay reserves the right to change product specifications without notice. Please visit elkayusa.com for most current version of Elkay product specification sheets.



Model ELU2118



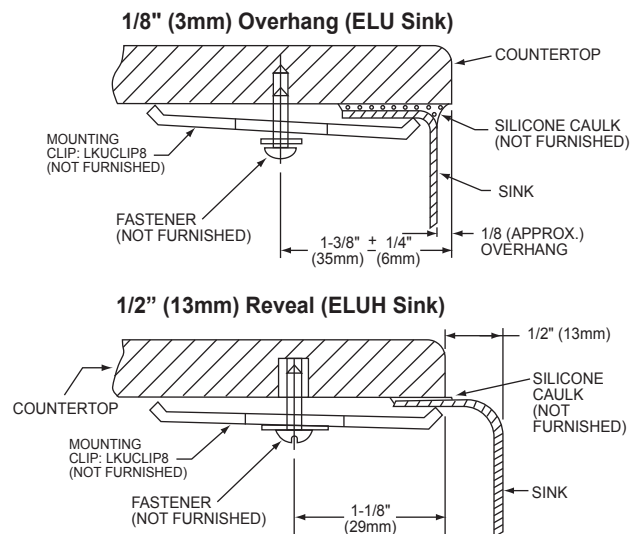
Model ELUH2118BAP



**SINKS ARE
MADE IN THE USA**

Installation Profile of ELU and ELUH Single Bowl Models

The template provided with each ELU/ELUH sink provides the only type of installation recommended by Elkay.



SEE OTHER SIDE FOR PRODUCT DIMENSIONS.

This specification describes an Elkay product with design, quality and functional benefits to the user. When making a comparison of other producers' offerings, be certain these features are not overlooked.

Elkay

elkayusa.com

2222 Camden Court
Oak Brook, IL 60523

Printed in U.S.A.
©2011 Elkay

(Rev. 03/11) 1-111J

**Harmony® Undermount Single Bowl Sink
Model ELU2118 and ELUH2118 Series**

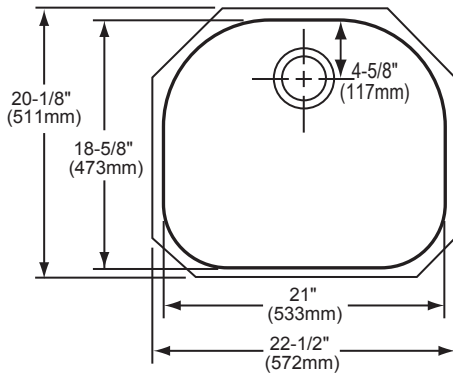
**ELKAY®
SPECIFICATIONS**

SINK DIMENSIONS*

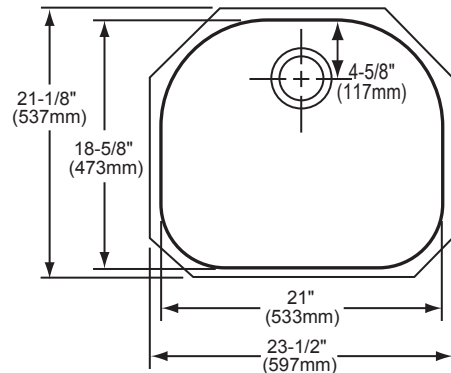
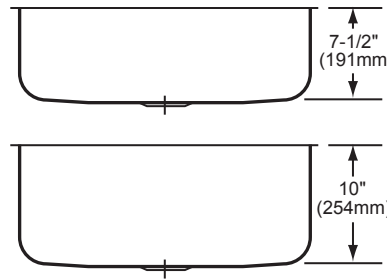
Model Number	Overall		Inside Bowl			Cutout in Countertop	Minimum Cabinet Size
	L	W	L	W	D		
ELU2118	22 ¹ / ₂ (572mm)	20 ¹ / ₈ (511mm)	21 (533mm)	18 ⁵ / ₈ (473mm)	7 ¹ / ₂ (191mm)	See Template**	27 (686mm)
ELU211810	22 ¹ / ₂ (572mm)	20 ¹ / ₈ (511mm)	21 (533mm)	18 ⁵ / ₈ (473mm)	10 (254mm)		27 (686mm)
ELUH2118	23 ¹ / ₂ (597mm)	21 ¹ / ₈ (537mm)	21 (533mm)	18 ⁵ / ₈ (473mm)	7 ¹ / ₂ (191mm)		27 (686mm)
ELUH211810	23 ¹ / ₂ (597mm)	21 ¹ / ₈ (537mm)	21 (533mm)	18 ⁵ / ₈ (473mm)	10 (254mm)		27 (686mm)
ELUH2118_ _ _ (Statement Option)	23 ¹ / ₂ (597mm)	21 ¹ / ₈ (537mm)	21 (533mm)	18 ⁵ / ₈ (473mm)	7 ¹ / ₂ (191mm)		27 (686mm)
ELUH211810_ _ _ (Statement Option)	23 ¹ / ₂ (597mm)	21 ¹ / ₈ (537mm)	21 (533mm)	18 ⁵ / ₈ (473mm)	10 (254mm)		27 (686mm)

*Length is left to right. Width is front to back.

**Template #74180163 (ELU2118(10)) or 74180251 (ELUH2118(10)) is packed with every sink.



Model ELU2118/10



Model ELUH2118