

ELKAY[®]

SPECIFICATIONS

Gourmet™ Undermount Single Bowl Sink Model ELUH1116

GENERAL

Highest quality sink formed of #18 (1.2mm) gauge, type 304 (18-8) nickel bearing stainless steel. Undermount.

DESIGN FEATURES

Bowl Depth: 7-7/8" (200mm).

Coved Corners: 1-3/4" (44mm) vertical and horizontal radius.

Finish: Exposed surfaces are hand blended to a lustrous satin finish.

Underside: Fully protected by heavy duty Sound Guard® undercoating to prevent condensation and dampen sound.

OTHER

Drain Opening: 3-1/2" (89mm).

Note: All Elkay undermount sinks are designed to affix to the underside of any solid surface countertop.

Installation: See illustrated profile below.

Sink complies with ASME A112.19.3.

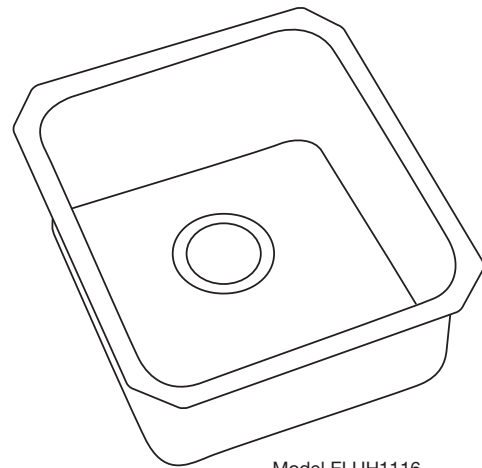
OPTIONAL ACCESSORIES

Bottom Grid: LKWOBG1116SS.

Drain: LK99.

Rinsing Basket: LKWRB1116SS.

Utensil Caddy for Rinsing Basket: LKWUCSS.



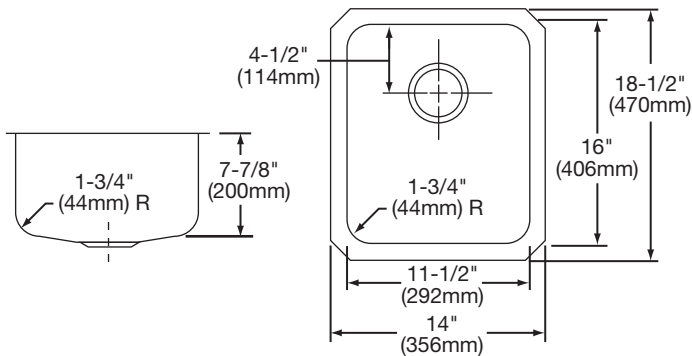
Model ELUH1116

SINK DIMENSIONS*

Model Number	Overall		Inside Bowl			Cutout in Countertop	Minimum Cabinet Size
	L	W	L	W	D		
ELUH1116	14 (356mm)	18 1/2 (470mm)	11 1/2 (292mm)	16 (406mm)	7 7/8 (200mm)	See Template**	18 (457mm)

*Length is left to right. Width is front to back.

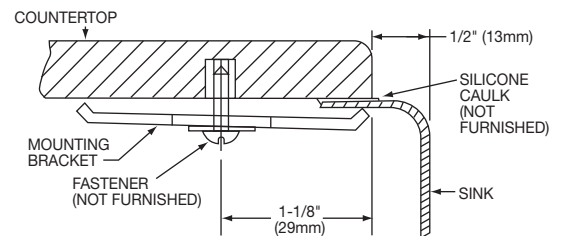
**Template and countertop mounting clips are packed with every sink.



ELUH1116 Illustrated

Installation Profile of ELUH Models

The template provided with each ELUH sink provides the only type of installation recommended by Elkay.



In keeping with our policy of continuing product improvement, Elkay reserves the right to change product specifications without notice. Please visit elkayusa.com for most current version of Elkay product specification sheets.

This specification describes an Elkay product with design, quality and functional benefits to the user. When making a comparison of other producers' offerings, be certain these features are not overlooked.

Elkay

elkayusa.com

2222 Camden Court
Oak Brook, IL 60523

Printed in U.S.A.
©2008 Elkay

(7/08)

1-318