

ELKAY[®]

SPECIFICATIONS

Harmony Undermount Single Bowl Sink Models ELU2421L, ELU2421R, ELUH2421L and ELUH2421R

GENERAL

Highest quality sink formed of #18 (1.2mm) gauge, type 304 (18-8) nickel bearing stainless steel.

DESIGN FEATURES

Bowl Depth: 6" (152mm) Disposer Bowl and 2" (51mm) Integral Ribbed Area.

Finish: Exposed surfaces are hand polished to a Lustrous Highlighted Satin finish.

Underside: Fully protected by Sound Guard[®] undercoating to reduce condensation and dampen sound.

Includes CBP1319L or CBP1319R cutting board.

OTHER

Drain Opening: 3-1/2" (89mm).

Suffix L (left) or R (right) denotes location of the drain.

NOTE: All Elkay undermount sinks are designed to affix to the underside of any solid surface countertop.

Sink complies with ASME A112.19.3-2008 / CSA B45.4-08.



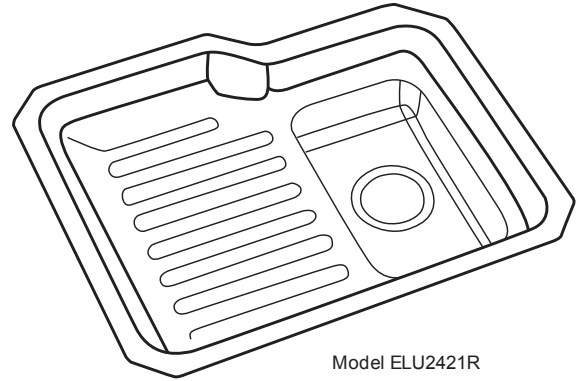
These sinks are listed by the International Association of Plumbing and Mechanical Officials as meeting the requirements of the Uniform Plumbing Code and the National Plumbing Code of Canada.



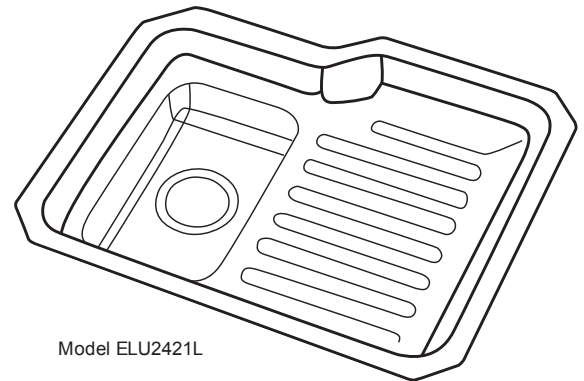
These sinks are compliant to ADA and ANSI/ICC A117.1 accessibility requirements when installed according to the requirements outlined in these standards.

OPTIONAL ACCESSORIES

Drain: LK99

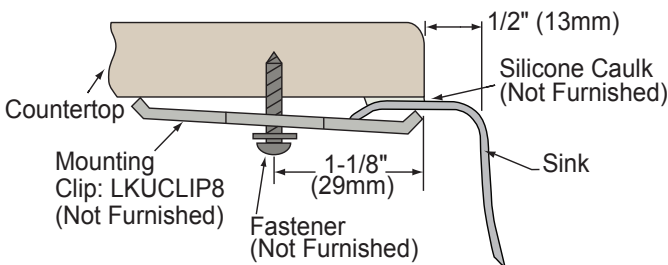


Model ELU2421R

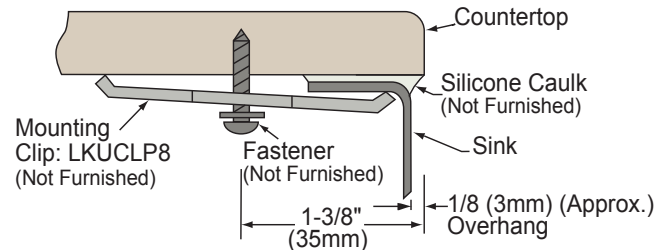


Model ELU2421L

Installation Profile
1/2" (13mm) Reveal
(ELUH Sink)



Installation Profile
1/8" (3mm) Overhang
(ELU Sink)



SEE NEXT PAGE FOR PRODUCT DIMENSIONS.

THIS PRODUCT, AS CONSTRUCTED IS SUBJECT TO INTERPRETATION OF A.D.A. REQUIREMENTS. THE UNOBSTRUCTED KNEE SPACE REQUIRED TO SATISFY A.D.A. STANDARDS MAY NOT BE DESIRABLE.

In keeping with our policy of continuing product improvement, Elkay reserves the right to change product specifications without notice. Please visit elkayusa.com for most current version of Elkay product specification sheets.

This specification describes an Elkay product with design, quality and functional benefits to the user. When making a comparison of other producers' offerings, be certain these features are not overlooked.

Elkay

elkayusa.com

2222 Camden Court
Oak Brook, IL 60523

Printed in U.S.A.
©2012 Elkay

(Rev. 3/12) 1-138D

Harmony Undermount Single Bowl Sink
Models ELU2421L, ELU2421R,
ELUH2421L and ELUH2421R

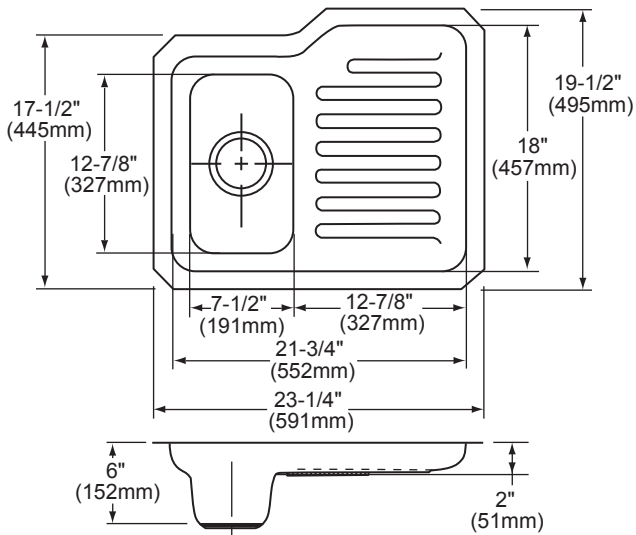
ELKAY®
SPECIFICATIONS

SINK DIMENSIONS*

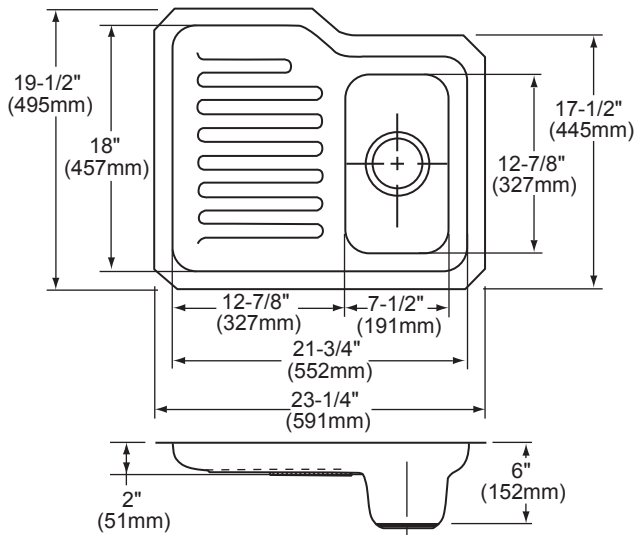
Model Number	Overall		Integral Ribbed Area			Disposer Bowl			Countertop Cutout	Minimum Cabinet Size
	L	W	L	W	D	L	W	D		
ELU2421L	23 ¹ / ₄ (591mm)	19 ¹ / ₂ (495mm)	12 ⁷ / ₈ (327mm)	18 (457mm)	2 (51mm)	7 ¹ / ₂ (191mm)	12 ⁷ / ₈ (327mm)	6 (152mm)	See Template**	27 (686mm)
ELU2421R	23 ¹ / ₄ (591mm)	19 ¹ / ₂ (495mm)	12 ⁷ / ₈ (327mm)	18 (457mm)	2 (51mm)	7 ¹ / ₂ (191mm)	12 ⁷ / ₈ (327mm)	6 (152mm)		27 (686mm)
ELUH2421L	24 ¹ / ₄ (622mm)	20 ¹ / ₂ (521mm)	12 ⁷ / ₈ (327mm)	18 (457mm)	2 (51mm)	7 ¹ / ₂ (191mm)	12 ⁷ / ₈ (327mm)	6 (152mm)		30 (686mm)
ELUH2421R	24 ¹ / ₄ (622mm)	20 ¹ / ₂ (521mm)	12 ⁷ / ₈ (327mm)	18 (457mm)	2 (51mm)	7 ¹ / ₂ (191mm)	12 ⁷ / ₈ (327mm)	6 (152mm)		30 (686mm)

*Length is left to right. Width is front to back.

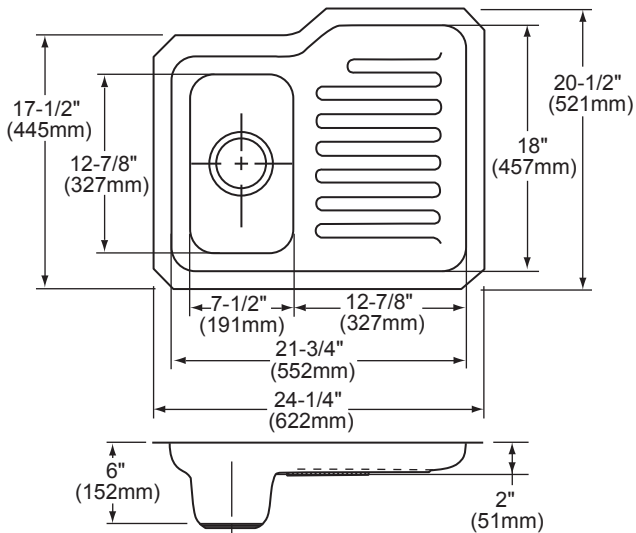
**Template and countertop mounting clips are packed with every sink.



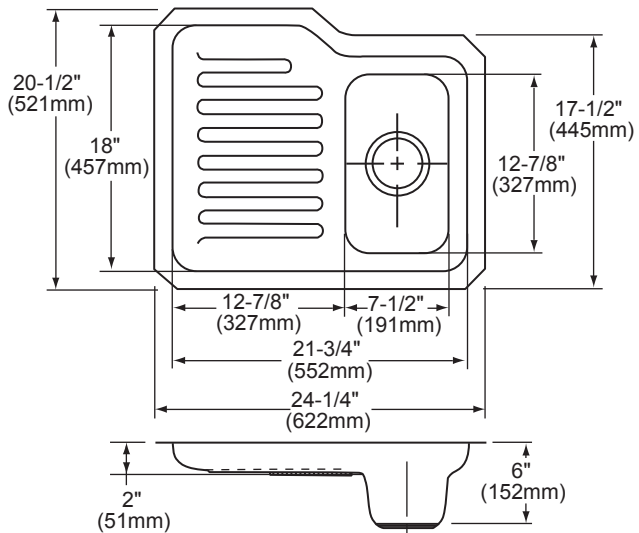
Model ELU2421L Illustrated



Model ELU2421R Illustrated



Model ELUH2421L Illustrated



Model ELUH2421R Illustrated

In keeping with our policy of continuing product improvement, Elkay reserves the right to change product specifications without notice. Please visit elkayusa.com for most current version of Elkay product specification sheets.

This specification describes an Elkay product with design, quality and functional benefits to the user. When making a comparison of other producers' offerings, be certain these features are not overlooked.