

# ELKAY<sup>®</sup>

## SPECIFICATIONS

### Gourmet Undermount Double Bowl Corner Sink Model ELUHE3232

#### GENERAL

Highest quality sink bowls seamlessly formed of #18 (1.2mm) gauge, type 304 (18-8) nickel bearing stainless steel.  
Undermount.

#### DESIGN FEATURES

Bowl Depth: 7-7/8" (200mm).  
Coved Corners: 1-3/4" (44mm) vertical and horizontal radius.  
Finish: Exposed surfaces are polished to a Bright Euro Highlighted finish.

Underside: Fully protected by heavy duty Sound Guard<sup>®</sup> under-coating to dampen sound and reduce condensation.

#### OTHER

Drain Opening: 3-1/2" (89mm).  
Faucet Holes: Sink has 3 1-1/2" (38mm) diameter faucet holes that can be used as a template when installing the faucet to the countertop.

NOTE: All Elkay undermount sinks are designed to affix to the underside of any solid surface countertop.

Sink complies with ASME A112.19.3-2008 / CSA B45.4-08

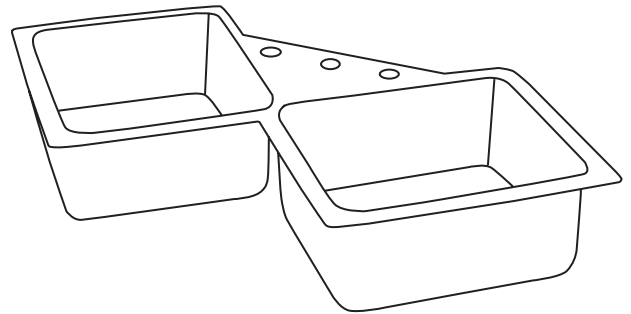
#### OPTIONAL ACCESSORIES

Cutting Boards: CB1613, CB1713, CBR1316, CBS1316  
Drain: LK99

Mounting Clip: LKUCLIP8 (2 packages required)

Rinsing Baskets: LKWRB1316SS, LKWERBSS

Utensil Caddy for Rinsing Basket: LKWUCSS



Model ELUHE3232

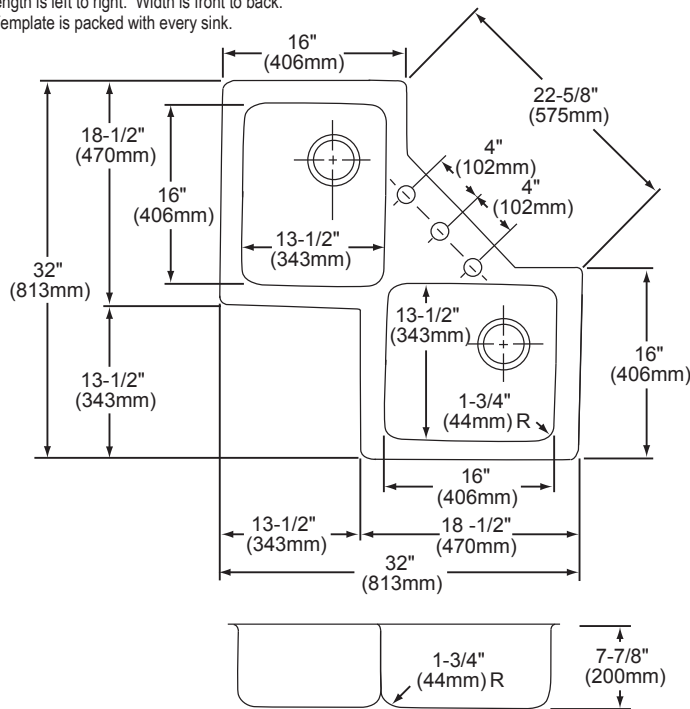


#### SINK DIMENSIONS\*

Model Number	Overall		Inside Each Bowl			Cutout in Countertop	Minimum Cabinet Size
	L	W	L	W	D		
ELUHE3232	32 (813mm)	32 (813mm)	13 1/2 (343mm)	16 (406mm)	7 7/8 (200mm)	See Template**	36 (Corner) (914mm)

\*Length is left to right. Width is front to back.

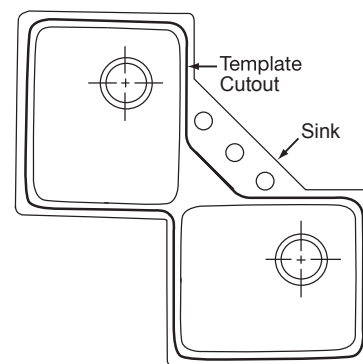
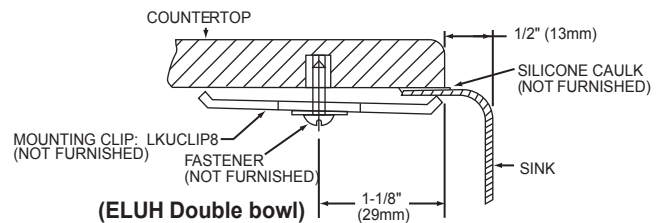
\*\*Template is packed with every sink.



Model ELUHE3232 Illustrated

#### Installation Profile of ELUH Double Bowl Models

The template provided with each ELUH sink provides the only type of installation recommended by Elkay.



In keeping with our policy of continuing product improvement, Elkay reserves the right to change product specifications without notice. Please visit [elkayusa.com](http://elkayusa.com) for most current version of Elkay product specification sheets.

This specification describes an Elkay product with design, quality and functional benefits to the user. When making a comparison of other producers' offerings, be certain these features are not overlooked.

Elkay

[elkayusa.com](http://elkayusa.com)

2222 Camden Court  
Oak Brook, IL 60523

Printed in U.S.A.  
©2010 Elkay

(Rev. 04/10) 1-377