

# ELKAY® SPECIFICATIONS

## Gourmet® Double Bowl Sink Models **STCR3322L** and **STCR3322R**

### GENERAL

Good quality double bowl sink is formed of #20 gauge, type 304 (18-8) nickel bearing stainless steel. Top mount.

### DESIGN FEATURES

Bowl Depths: 7" (178mm) (standard), 10-1/4" (260mm) (deep bowl).  
Coved Corners: 3" (76mm) vertical radius and 2-1/4" (57mm) horizontal radius.  
Rim Height: 1/4" (6mm)  
Finish: Exposed surfaces are polished to a brushed satin finish.  
Underside: Fully undercoated to reduce condensation and dampen sound.

### OTHER

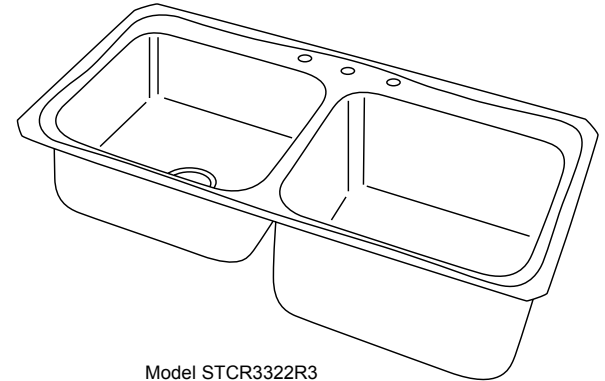
Drain opening: 3-1/2" (89mm)  
Suffix L (left) or R (right) denotes location of the deep bowl.  
Sink complies with ASME A112.19.3-2008 / CSA B45.4-08.



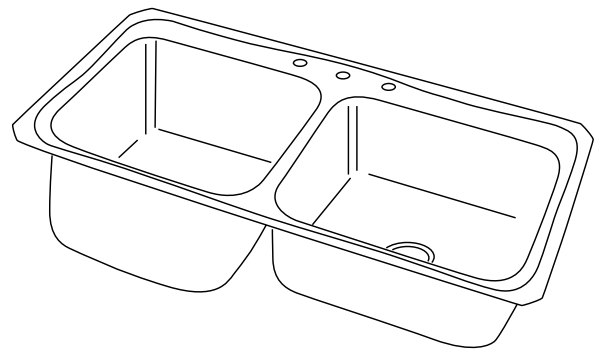
These sinks are listed by the International Association of Plumbing and Mechanical Officials as meeting the requirements of the Uniform Plumbing Code and the National Plumbing Code of Canada.

### OPTIONAL ACCESSORIES

Bottom Grid: LKWBG1415SS  
Cutting Board: CB1516  
Drain: LK99  
Rinsing Basket: LKWRB1316SS, LKWERBSS  
Utensil Caddy for Rinsing Basket: LKWUCSS



Model STCR3322R3



Model STCR3322L3

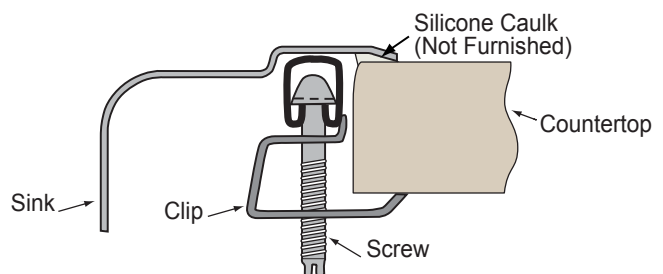
### SINK DIMENSIONS\*

Model Number	Overall		Inside Left Bowl			Inside Right Bowl			Cutout in Countertop (1 1/2" [38mm] Radius Corners)		No. of 1 1/2" (38mm) Dia. Faucet Holes 4" (102mm) Center	Minimum Cabinet Size
	L	W	L	W	D	L	W	D	L	W		
STCR3322L	33 (838mm)	22 (559mm)	14 (356mm)	15-3/4 (400mm)	10-1/4 (260mm)	14 (356mm)	15-3/4 (400mm)	7 (178mm)	32 3/8 (822mm)	21 3/8 (543mm)	1, 2, MR2, 3, 4 or 5	36 (914mm)
STCR3322R	33 (838mm)	22 (559mm)	14 (356mm)	15-3/4 (400mm)	7 (178mm)	14 (356mm)	15-3/4 (400mm)	10-1/4 (260mm)	32 3/8 (822mm)	21 3/8 (543mm)	1, 2, MR2, 3, 4 or 5	36 (914mm)

\*Length is left to right. Width is front to back.



### Installation Profile

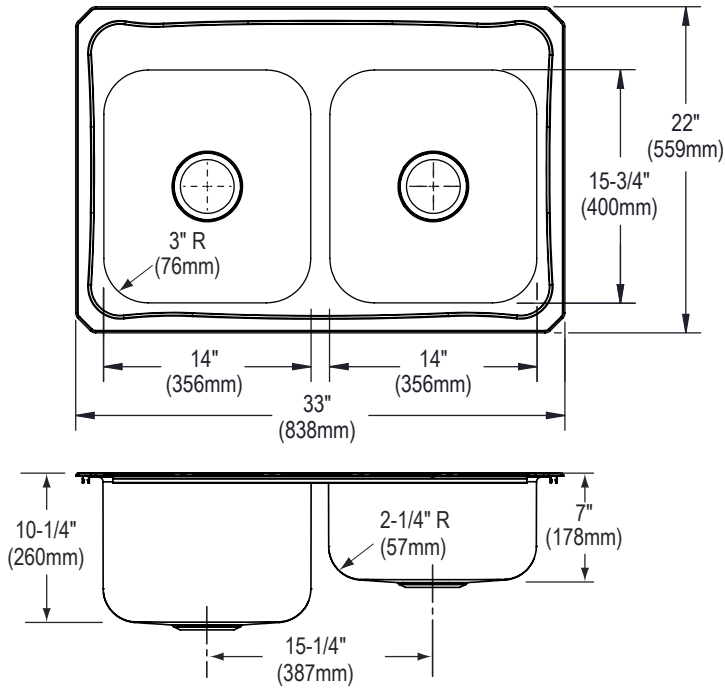


In keeping with our policy of continuing product improvement, Elkay reserves the right to change product specifications without notice.

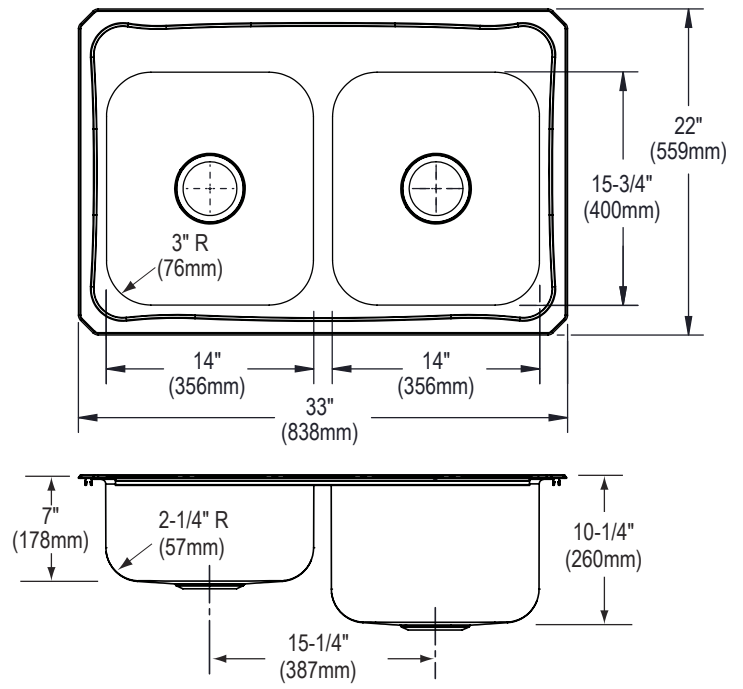
This specification describes an Elkay product with design, quality and functional benefits to the user. When making a comparison of other producers' offerings, be certain these features are not overlooked.

# ELKAY® SPECIFICATIONS

## Gourmet® Double Bowl Sink Models STCR3322L and STCR3322R



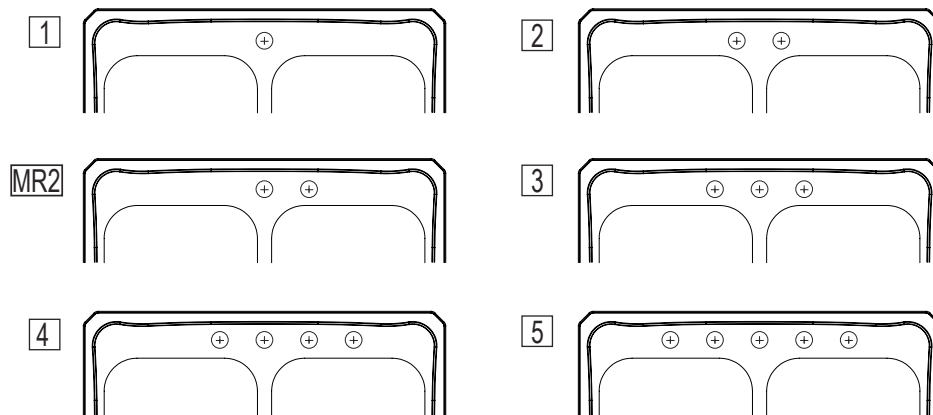
Model STCR3322L Illustrated



Model STCR3322R Illustrated

### Hole Drilling Configurations

1-1/2" (38mm) Diameter Faucet Holes on 4" (102mm) Centers



*In keeping with our policy of continuing product improvement, Elkay reserves the right to change product specifications without notice.*

*This specification describes an Elkay product with design, quality and functional benefits to the user. When making a comparison of other producers' offerings, be certain these features are not overlooked.*