

ELKAY[®]

SPECIFICATIONS

Gourmet™ Triple Bowl Sink Model PSMR4322

GENERAL

Fine quality sink is formed of #20 gauge, type 304 (18-8) nickel bearing stainless steel. Top mount.

DESIGN FEATURES

Bowl Depth: 7-1/8" (Left and Right Bowls), 5-1/8" (Center Bowl).

Bowl and Faucet Deck Recess: 3/16" below outside edge of sink.

Finish: Exposed surfaces are polished to a lustrous, satin finish.
Underside: Fully undercoated by heavy duty Sound Guard™ to prevent condensation and deaden sound.

OTHER

Drain Opening: 3-1/2".

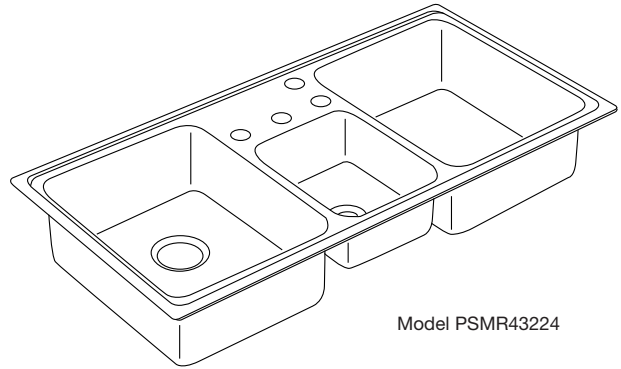
NOTE: Unless otherwise specified, sink is furnished with 4 faucet holes as illustrated.

OPTIONAL ACCESSORIES

Rinsing Baskets: LKWRB1418SS, LKWERBSS (large bowl), LKWRB1209SS (small bowl).

Utensil Caddy: LKWUCSS.

Cutting Boards: CBR1418, CBS1418 (large bowl), CB912 (small bowl).



Model PSMR43224

This sink complies with ASME A112.19.3M.



This sink is listed by the International Association of Plumbing and Mechanical Officials as meeting the requirements of the Uniform Plumbing Code.

SINK DIMENSIONS (INCHES)*

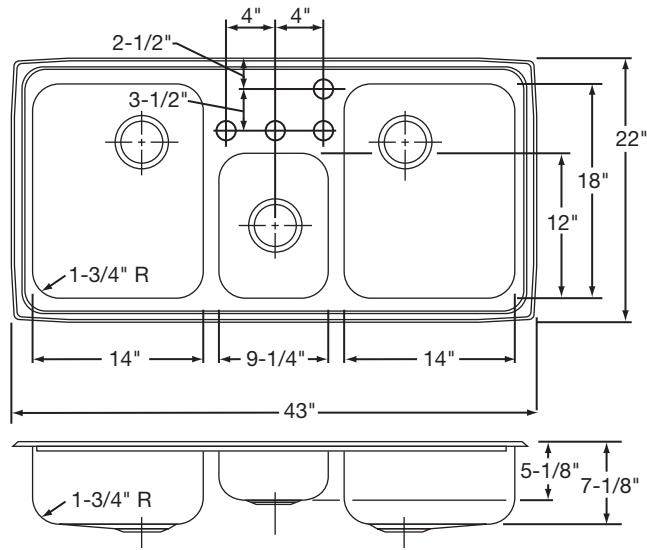
Model Number	Overall		Inside Left Bowl			Inside Center Bowl			Inside Right Bowl			Cutout in Countertop (1 1/2" Radius Corners) Overall		No. of 1 1/2" Dia. Faucet Holes	Min. Cabinet Size
	L	W	L	W	D	L	W	D	L	W	D	L	W		
PSMR4322	43	22	14	18	7 1/8	9 1/4	12	5 1/8	14	18	7 1/8	42 3/8	21 3/8	3, 4, 5 or 6	48"

*Length is left to right. Width is front to back.

SEE OTHER SIDE FOR PRODUCT DIMENSIONS.

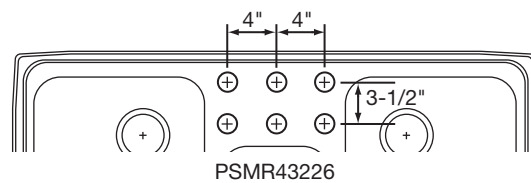
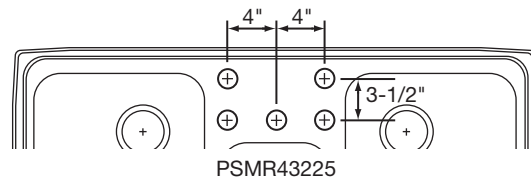
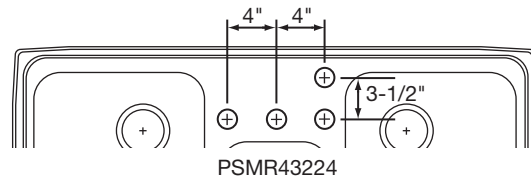
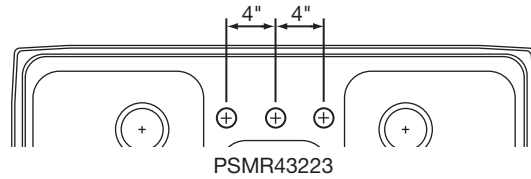
In keeping with our policy of continuing product improvement, Elkay reserves the right to change product specifications without notice.

This specification describes an Elkay product with design, quality and functional benefits to the user. When making a comparison of other producers' offerings, be certain these features are not overlooked.



Model PSMR43224 Illustrated

HOLE DRILLING CONFIGURATIONS



ALL DIMENSIONS IN INCHES, TO CONVERT
TO MILLIMETERS MULTIPLY BY 25.4.