

ELKAY[®]

SPECIFICATIONS

Harmony™ Single Bowl Sink Model ECG252210

GENERAL

Fine quality sink formed of #18 gauge, type 304 nickel bearing stainless steel. Top mount.

DESIGN FEATURES

Bowl Depth: 10-3/8" (264mm)

Rim Height: 3/8" (10mm)

Finish: Exposed surfaces are polished to a Soft Highlighted Satin finish.

Underside: Fully protected by Sound Guard[®] undercoating to reduce condensation and dampen sound.

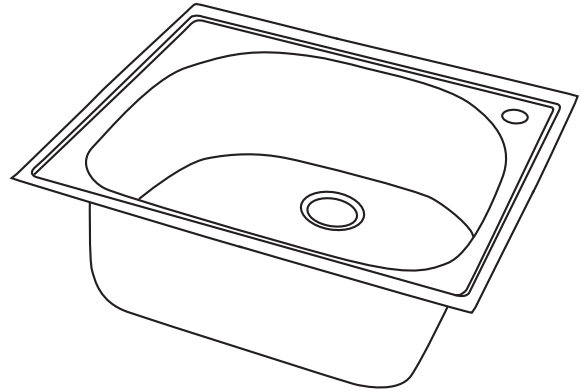
OTHER

Drain Opening: 3-1/2" (89mm).

Sink complies with ASME A112.19.3-2008 / CSA B45.4-08.



These sinks are listed by the International Association of Plumbing and Mechanical Officials as meeting the requirements of the Uniform Plumbing Code and the National Plumbing Code of Canada.



OPTIONAL ACCESSORIES

Bottom Grid: LKWOBG2118SS

Cutting Board: CB2213

Drain: LK99

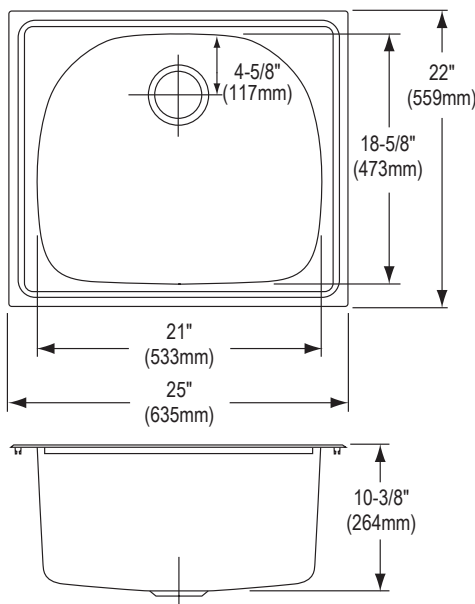
Rinsing Basket: LKWRB2118SS, LKWERBSS

Utensil Caddy for Rinsing Basket: LKWUCSS

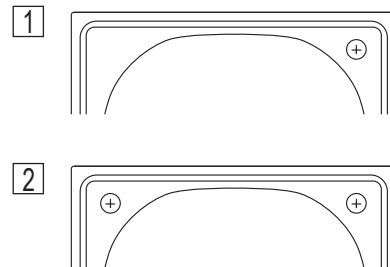
SINK DIMENSIONS*

Model Number	Overall		Inside Bowl			Cutout in Countertop (1-1/2" (38mm) Radius Corners)		No. of 1-1/2" (38mm) Dia. Faucet Holes	Minimum Cabinet Size
	L	W	L	W	D	L	W		
ECG252210	25 (635mm)	22 (559mm)	21 (533mm)	18-5/8" (473mm)	10-3/8" (264mm)	24-3/8" (619mm)	21-3/8" (543mm)	1 or 2	30

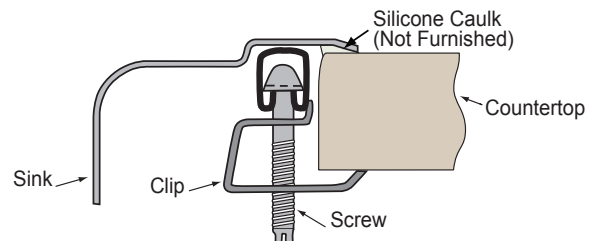
*Length is left to right. Width is front to back.



Hole Drilling Configurations 1-1/2" (38mm) Diameter Faucet Holes



Installation Profile



In keeping with our policy of continuing product improvement, Elkay reserves the right to change product specifications without notice. Please visit elkayusa.com for most current version of Elkay product specification sheets.

This specification describes an Elkay product with design, quality, and functional benefits to the user. When making a comparison of others producers offerings, be certain these features are not overlooked.