

# ELKAY® SPECIFICATIONS

## Celebrity® Double Bowl Sink Model CR3322

### GENERAL

Good quality sink formed of #20 gauge, type 304 (18-8) nickel bearing stainless steel. Self-rimming top mount.

### DESIGN FEATURES

Bowl Depth: 7".

Coved Corners: 3" vertical and 2-1/4" horizontal radius.

Bowl and Faucet Deck Recess: 3/16" below outside edge of sink.

Finish: Exposed surfaces are polished to a highlighted Celebrity bright satin finish.

Underside: Fully undercoated to dampen sound and prevent condensation.

### OTHER

Drain Opening: 3-1/2".

NOTE: Unless otherwise specified, sink is furnished with 4 faucet holes as illustrated.

Complies with ASME A112.19.3.



These sinks are listed by the International Association of Plumbing and Mechanical Officials as meeting the requirements of the Uniform Plumbing Code.



This sink is listed with the Canadian Standards Association.

### OPTIONAL ACCESSORIES

Rinsing Basket: LKWERBSS.

Utensil Caddy for Rinsing Basket: LKWUCSS.

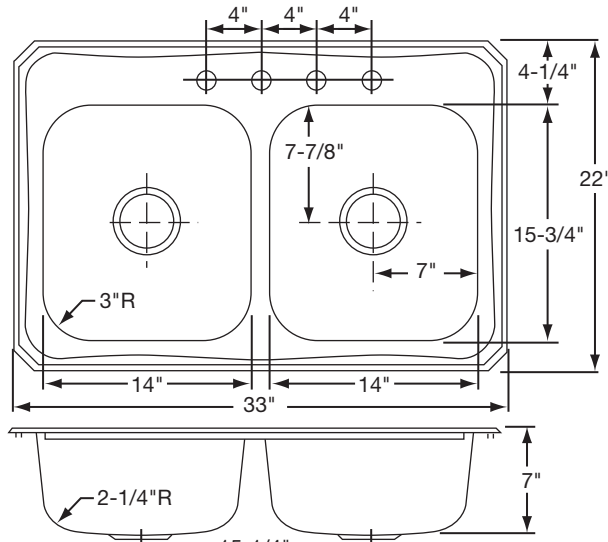
Bottom Grid: LKWBG1415SS.

Cutting Board: CB1516.

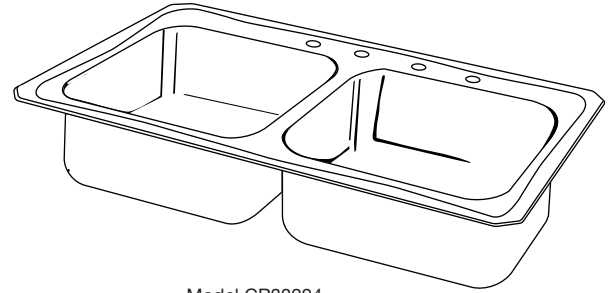
### SINK DIMENSIONS (INCHES)\*

Model Number	Overall		Inside Each Bowl			Cutout in Countertop (1 1/2" Radius Corners)		No. of 1 1/2" Dia. Faucet Holes 4" Centers	Minimum Cabinet Size
	L	W	L	W	D	L	W		
CR3322	33	22	14	15 3/4	7	32 3/8	21 3/8	1, 2, MR2, 3, 4 or 5	36

\*Length is left to right. Width is front to back.

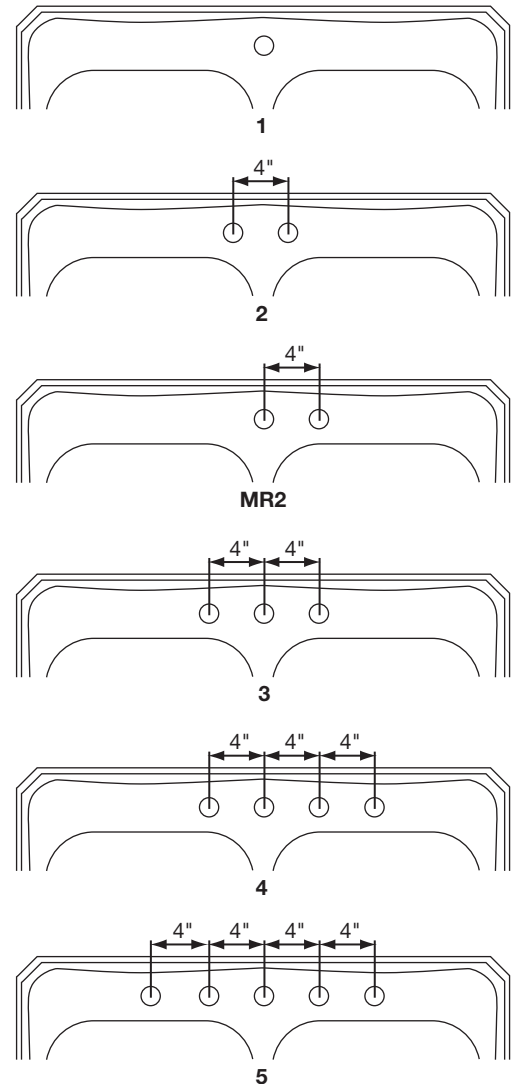


Model CR33224 Illustrated



Model CR33224

### HOLE DRILLING CONFIGURATIONS



ALL DIMENSIONS IN INCHES, TO CONVERT TO MILLIMETERS MULTIPLY BY 25.4.

In keeping with our policy of continuing product improvement, Elkay reserves the right to change product specifications without notice.

This specification describes an Elkay product with design, quality and functional benefits to the user. When making a comparison of other producers' offerings, be certain these features are not overlooked.

Elkay

elkayusa.com

2222 Camden Court  
Oak Brook, IL 60523

Printed in U.S.A.  
©2007 Elkay

(Rev. 10/07) 1-15D