

# ELKAY<sup>®</sup>

## SPECIFICATIONS

### Asana™ Single Bowl Lavatory Sink Model PSLVR1916

#### GENERAL

Fine quality lavatory sink formed of #20 (1.0mm) gauge, type 304 (18-8) nickel bearing stainless steel. T opmount.

#### DESIGN FEATURES

Bowl Depth: 6" (152mm).

Bowl and Faucet Deck Recessed: 3/16" (5mm) below outside edge of sink.

Finish: Exposed surfaces are polished to a Bright Satin finish.


Underside: Fully undercoated to reduce condensation and dampen sound.


#### OTHER

Drain Opening: 1-5/8" (41mm), 2-1/4" (57mm) O.D. at top of countersink. Arranged for standard lavatory type pop-up drain fitting.

NOTE: Unless otherwise specified, sink is furnished with a CS3 faucet hole configuration.

Sinks comply with ASME A112.19.3-2008/CSA B45.4-08.

 These sinks are listed by the International Association of Plumbing and Mechanical Officials as meeting the requirements of the Uniform Plumbing Code and the National Plumbing Code of Canada.

 These sinks are compliant to ADA and ANSI/ICC A117.1 accessibility requirements when installed according to the requirements outlined in these standards.

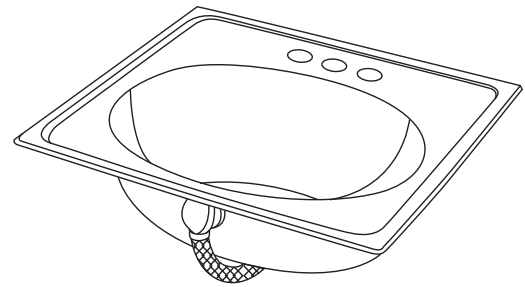
#### OPTIONAL ACCESSORIES

Drains: LK174, LKAD174, LK175.

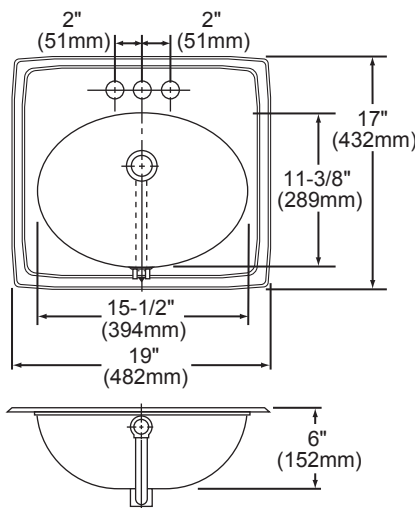
#### SINK DIMENSIONS (INCHES)\*

Model Number	Overall		Inside Bowl			With Overflow	Cutout in Countertop [1 1/2" (38mm) Radius Corners]		1 1/4" (32mm) Dia. Faucet Holes No. & Ctrs.	Minimum Cabinet Size
	L	D	L	W	D		L	W		
PSLVR1916	19 (482mm)	17 (432mm)	15 1/2 (394mm)	11 3/8 (289mm)	6 (152mm)	Yes	18 3/8 (467mm)	16 3/8 (416mm)	1, 2, or 3 - 4" (102mm) Ctrs. or CS3 - 2" (51mm) Ctrs.	24 (610mm)

Length is left to right. Width is front to back.

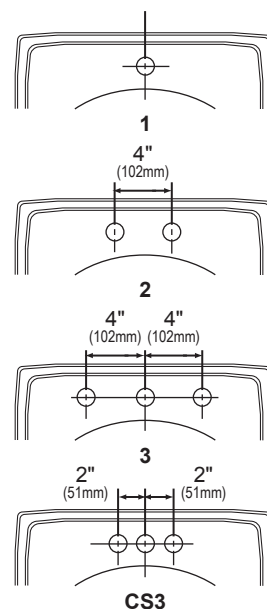


Model PSLVR1916CS3



Model PSLVR1916CS3 Illustrated

#### HOLE DRILLING CONFIGURATIONS



In keeping with our policy of continuing product improvement, Elkay reserves the right to change product specifications without notice. Please visit [elkayusa.com](http://elkayusa.com) for most current version of Elkay product specification sheets.

This specification describes an Elkay product with design, quality and functional benefits to the user. When making a comparison of other producers' offerings, be certain these features are not overlooked.