

ELKAY® SPECIFICATIONS

Echo Single Bowl Sink Model ECTM252210 Series

GENERAL

Formed of #18 (1.2mm) gauge bowl featuring a #20 (0.9mm) gauge deck, type 304 nickel bearing stainless steel. Top Mount.

DESIGN FEATURES

Bowl Depth: 9-3/4" (248mm) to 10-3/4" (273mm).

Contoured Raised Rim: 3/8" (10mm) to 1-3/8" (35mm) above outside edge of sink.

Finish: Exposed surfaces are polished to a lustrous highlighted satin finish.

Maximum countertop thickness: 1-3/8" (35mm).

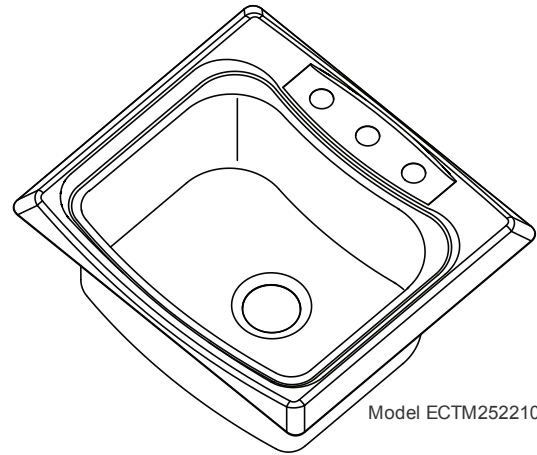
Underside: Fully protected by heavy duty Sound Guard under-coating to reduce condensation and dampen sound.

OTHER

Drain Opening: 3-1/2" (89mm).

NOTE: Unless otherwise specified, sink is furnished with 3 faucet holes as illustrated.

Sink complies with ASME A112.19.3-2008 / CSA B45.4-08



Model ECTM2522103

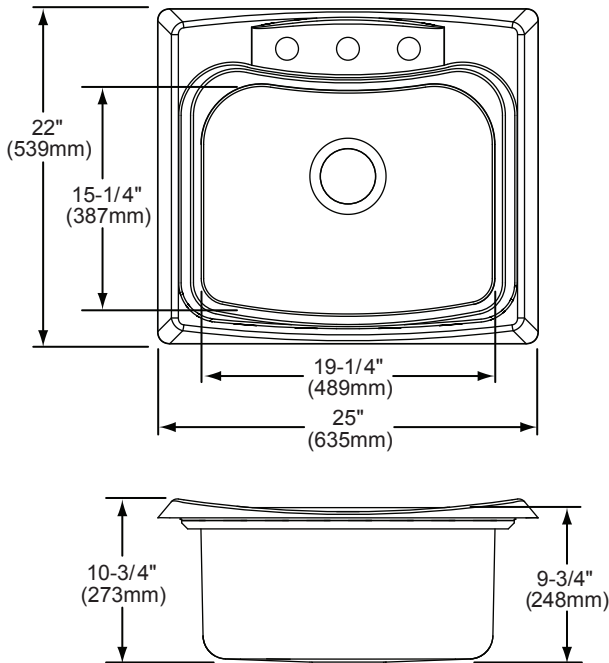


These sinks are listed by the International Association of Plumbing and Mechanical Officials as meeting the requirements of the Uniform Plumbing Code.

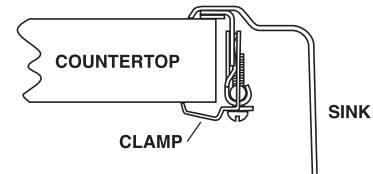
SINK DIMENSIONS*

Model Number	Overall		Inside Bowl			Cutout in Countertop [1 1/2" (38mm) Corner Radius]		No. of 1 1/2" (38mm) Dia. Faucet Holes 4" (102mm) Center	Minimum Cabinet Size
	L	W	L	W	D	L	W		
ECTM252210	25 (635mm)	22 (559mm)	19 1/4 (489mm)	15 1/4 (387mm)	9 3/4 (248mm) to 10 3/4 (273mm)	24 3/8 (619mm)	21 3/8 (543mm)	1,2,MR2,3	30 (762mm)

*Length is left to right. Width is front to back.



Installation Profile



In keeping with our policy of continuing product improvement, Elkay reserves the right to change product specifications without notice. Please visit elkayusa.com for most current version of Elkay product specification sheets.

This specification describes an Elkay product with design, quality and functional benefits to the user. When making a comparison of other producers' offerings, be certain these features are not overlooked.

Elkay

elkayusa.com

2222 Camden Court
Oak Brook, IL 60523

Printed in U.S.A.
©2010 Elkay

(Rev. 3/10) 1-307B

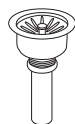
Echo Single Bowl Sink Model ECTM252210 Series

ELKAY® SPECIFICATIONS

OPTIONAL ACCESSORIES*

Model Number	Description	Overall			Material
		L	W	Depth/Thickness	
LK99	Drain	Fits 3 1/2" (89mm) Drain Opening			Stainless Steel
LKEOBG1913SS	Bottom Grid	18 (457mm)	14 (356mm)	1 (25mm)	Stainless Steel
LKERB1913SS	Rinsing Basket	18 (457mm)	14 (356mm)	7 (178mm)	Stainless Steel
LKWUCSS	Utensil Caddy for rinsing basket	15 1/8 (384mm)	3 1/2 (89mm)	4 3/8 (111mm)	Stainless Steel
LKCB1913HW	Cutting Board reversible design fits left or right side of the bowl	15 1/8 (384mm)	16 5/8 (422mm)	1 (25mm)	Hardwood

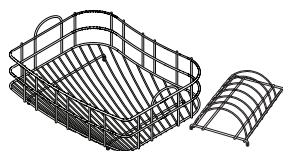
*Length is left to right. Width is front to back.



LK99



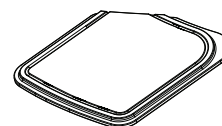
LKEOBG1913SS



LKERB1913SS

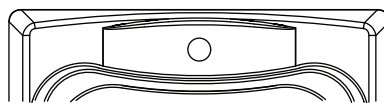


LKWUCSS

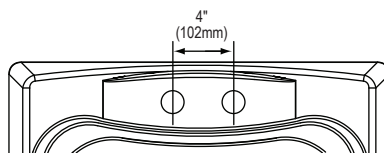


LKCB1913HW

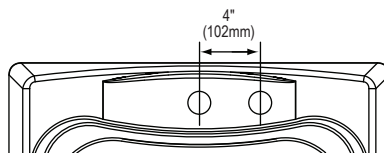
HOLE DRILLING CONFIGURATIONS



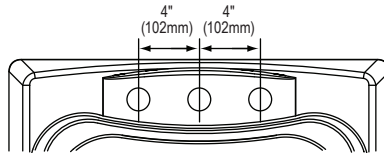
1



2



MR2



3