

# ELKAY® SPECIFICATIONS

## Avado™ Double Bowl Sink Models EFT402211 and EFT402211C

### GENERAL

Highest quality sink seamlessly fabricated of #16 (1.6mm) gauge, type 304 (18-8) nickel-bearing stainless steel. Includes LKDT51005SS shallow drain tray. Top mount.

### DESIGN FEATURES

Bowl Depth: 11" (279mm) (front bowl); 4" (102mm) (back bowl).

Coved Corners: Zero radius.

Rim Height: 1" (25mm).

Finish: Exposed surfaces have a polished satin finish.

Maximum Countertop Thickness: 1-1/2" (38mm).

Underside: Fully protected by heavy duty Sound Guard® undercoating designed to prevent condensation and dampen sound.

Unique partition design accommodates select optional accessories.

### EFT402211C Sink Package includes:

- EFT402211 Sink
- LKCB1314HW Cutting Board
- LKLOBG3214SS Bottom Grid
- LKDTD1314SS Drain Tray
- LKDTL3085SS Drain Tray
- LKGT45SS Gate
- LK99 Drain

### OTHER

Drain Opening: 3-1/2" (89mm).

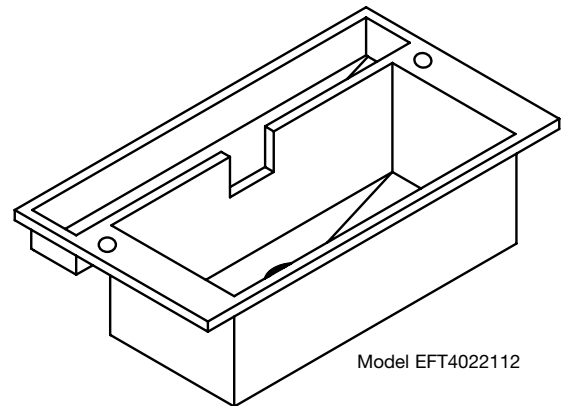
NOTE: Unless otherwise specified, sink is furnished with 2 faucet holes as shown.

Sink complies with ASME A112.19.3.

### OPTIONAL ACCESSORIES\*

Model Number	Description	Overall			Material
		L	W	Depth/Thickness	
LKCB1314HW	Cutting Board	13 <sup>1</sup> / <sub>2</sub> (343mm)	15 (381mm)	1 (25mm)	Hardwood
LKLOBG3214SS	Bottom Grid	31 (787mm)	14 (356mm)	<sup>3</sup> / <sub>4</sub> (19mm)	Stainless Steel
LKDT51005SS (Included with sink)	Shallow Drain Tray	10 (254mm)	5 <sup>7</sup> / <sub>8</sub> (149mm)	<sup>11</sup> / <sub>16</sub> (72mm)	Stainless Steel
LKDTL3805SS	Drain Tray	20 <sup>7</sup> / <sub>8</sub> (556mm)	5 <sup>7</sup> / <sub>8</sub> (149mm)	3 (76mm)	Stainless Steel
LKDTD1314SS	Drain Tray	13 <sup>1</sup> / <sub>2</sub> (343mm)	14 <sup>7</sup> / <sub>8</sub> (378mm)	3 (76mm)	Stainless Steel
LKGT45SS	Gate	6 <sup>3</sup> / <sub>4</sub> (171mm)	4 (102mm)	1 (25mm)	Stainless Steel

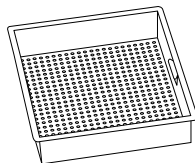
\*Length is left to right. Width is front to back.



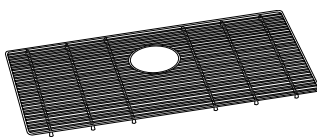
Model EFT4022112



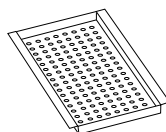
Model LKCB1314HW



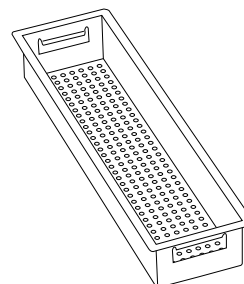
Model LKDTD1314SS



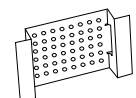
Model LKLOBG3214SS



Model LKDT51005SS



Model LKDTL3805SS



Model LKGT45SS

In keeping with our policy of continuing product improvement, Elkay reserves the right to change product specifications without notice. Please visit [elkayusa.com](http://elkayusa.com) for most current version of Elkay product specification sheets.

This specification describes an Elkay product with design, quality and functional benefits to the user. When making a comparison of other producers' offerings, be certain these features are not overlooked.

**Elkay**

[elkayusa.com](http://elkayusa.com)

2222 Camden Court  
Oak Brook, IL 60523

Printed in U.S.A.  
©2008 Elkay

(Rev. 6/08) 1-297A

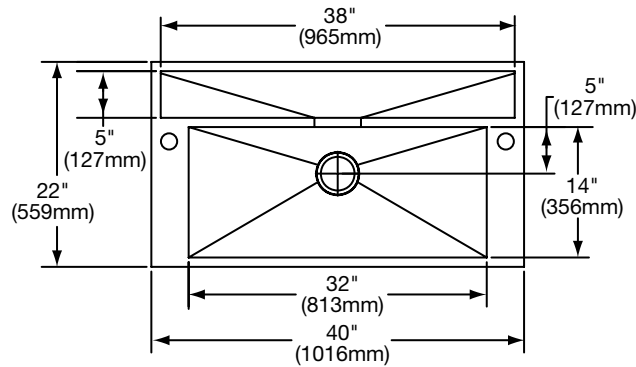
**Avado™ Double Bowl Sink**  
**Models EFT402211 and EFT402211C**

**ELKAY®**  
**SPECIFICATIONS**

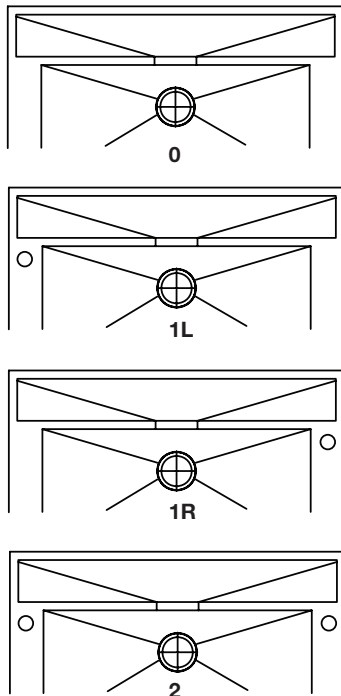
**SINK DIMENSIONS\***

Model Number	Overall		Inside Front Bowl			Inside Back Bowl			Drain Opening	Cutout in Countertop [1/2" (13mm) Corner Radius]		No. of 1 1/2" (38mm) Dia. Faucet Holes	Minimum Cabinet Size
	L	W	L	W	D	L	W	D		L	W		
EFT402211	40 (1016mm)	22 (559mm)	32 (813mm)	14 (356mm)	11 (279mm)	38 (965mm)	5 (127mm)	4 (102mm)	3 1/2 (89mm)	39 1/8 (994mm)	21 1/8 (537mm)	0, 1L, 1R or 2	45 (1143mm)
EFT402211C	40 (1016mm)	22 (559mm)	32 (813mm)	14 (356mm)	11 (279mm)	38 (965mm)	5 (127mm)	4 (102mm)	3 1/2 (89mm)	39 1/8 (994mm)	21 1/8 (537mm)	0, 1L, 1R or 2	45 (1143mm)

\*Length is left to right. Width is front to back.



**HOLE DRILLING CONFIGURATION**



**Installation Profile**

