

# ELKAY<sup>®</sup>

## SPECIFICATIONS

### Harmony™ Double Bowl Sink Model ECG332210L & R

#### GENERAL

Fine quality sink formed of #18 (1.2mm) gauge, type 304 nickel bearing stainless steel. Top mount.

#### DESIGN FEATURES

Bowl Depth: 8-3/8" (213mm) small bowl and 10-3/8" (264mm) large bowl

Rim Height: 3/8" (10mm)

Finish: Exposed surfaces are polished to a non-directional soft highlighted satin finish.

Underside: Fully protected by Sound Guard<sup>®</sup> undercoating to reduce condensation and dampen sound.

Aqueduct (recessed partition) allows water to flow to adjacent bowl before overflowing sink.

#### OTHER

Drain Opening: 3-1/2" (89mm).

Sink complies with ASME A112.19.3-2008 / CSA B45.4-08.



These sinks are listed by the International Association of Plumbing and Mechanical Officials as meeting the requirements of the Uniform Plumbing Code and the National Plumbing Code of Canada.

#### OPTIONAL ACCESSORIES

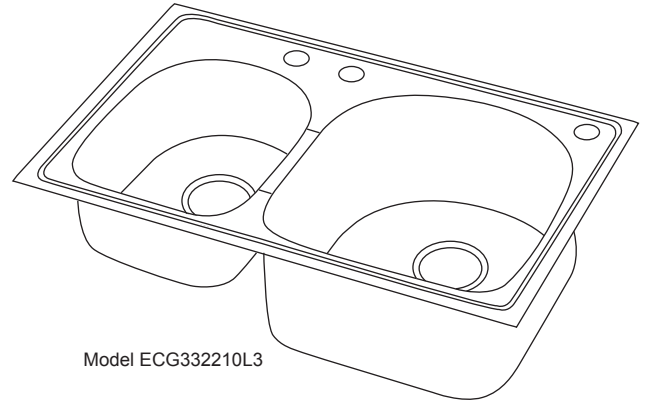
Bottom Grid: LKWOBG1617SS (large bowl),  
LKWOBG1115SS (small bowl)

Cutting Board: CB1713 (large bowl)

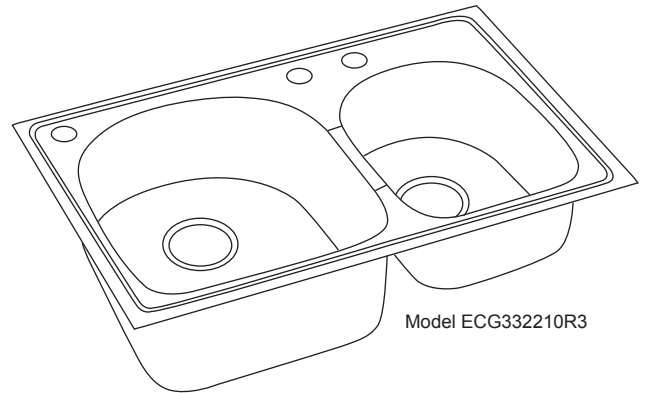
Drain: LK99

Rinsing Baskets: LKWRB1617SS, LKWERBSS (large bowl)  
LKWRB1115SS (small bowl)

Utensil Caddy for Rinsing Basket: LKWUCSS



Model ECG332210L3



Model ECG332210R3

SEE NEXT PAGE FOR PRODUCT DIMENSIONS.

*In keeping with our policy of continuing product improvement, Elkay reserves the right to change product specifications without notice. Please visit [elkayusa.com](http://elkayusa.com) for most current version of Elkay product specification sheets.*

*This specification describes an Elkay product with design, quality and functional benefits to the user. When making a comparison of other producers' offerings, be certain these features are not overlooked.*

**Elkay**

[elkayusa.com](http://elkayusa.com)

2222 Camden Court  
Oak Brook, IL 60523

Printed in U.S.A.  
©2011 Elkay

(Rev. 5/11) 1-201C

# ELKAY<sup>®</sup>

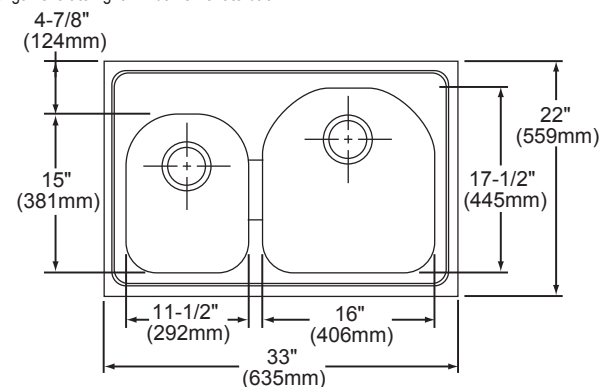
## SPECIFICATIONS

### Harmony™ Double Bowl Sink Model ECG332210L & R

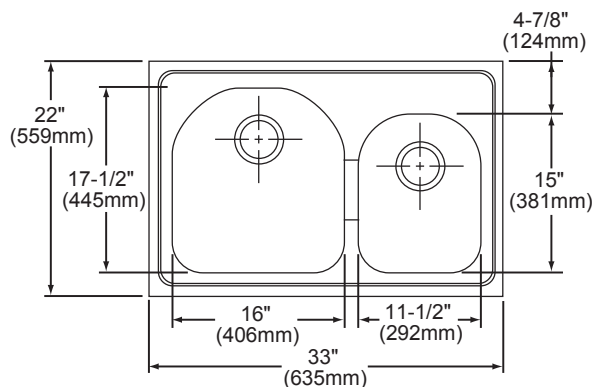
#### SINK DIMENSIONS\*

Model Number	Overall		Inside Left Bowl			Inside Right Bowl			Cutout in Countertop [1 1/2" (38mm) Radius Corners]		No. of 1 1/2" (38mm) Dia. Faucet Holes 4" (102mm) Centers	Minimum Cabinet Size
	L	W	L	W	D	L	W	D	L	W		
ECG332210L	33 (635mm)	22 (559mm)	11 1/2 (292mm)	15 (381mm)	8 3/8 (213mm)	16 (406mm)	17 1/2 (445mm)	10 3/8 (264mm)	32 3/8 (822mm)	21 3/8 (543mm)	1, 2, 3 or 4	36 (914mm)
ECG332210R	33 (635mm)	22 (559mm)	16 (406mm)	17 1/2 (445mm)	10 3/8 (264mm)	11 1/2 (292mm)	15 (381mm)	8 3/8 (213mm)	32 3/8 (822mm)	21 3/8 (543mm)	1, 2, 3 or 4	36 (914mm)

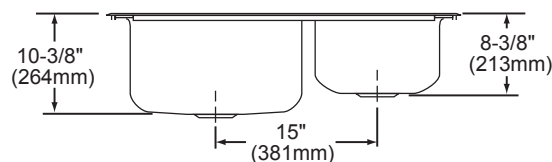
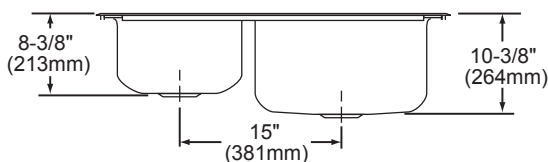
\*Length is left to right. Width is front to back.



ECG332210L Illustrated



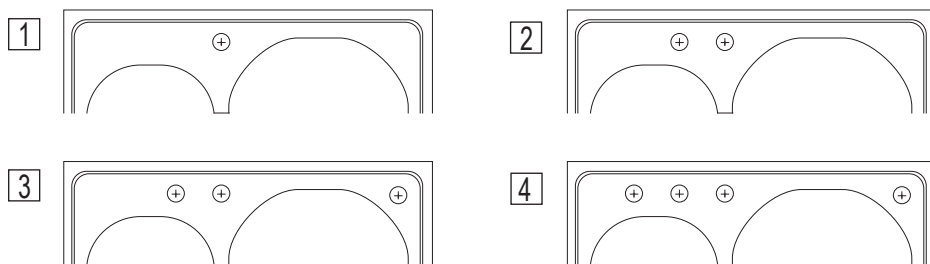
ECG332210R Illustrated



#### Hole Drilling Configurations

1-1/2" (38mm) Diameter Faucet Holes on 4" (102mm) Centers

#### LEFT VERSION



#### RIGHT VERSION

