

GENERAL

Fine quality sink bowl seamlessly formed of #20 gauge, type 304 (18-8) nickel bearing stainless steel. Top Mount.

DESIGN FEATURES

Bowl Depth: 6-1/8" (156mm).
 Coved Corners: 1-3/4" (44mm) vertical and horizontal radius.
 Rim Height: 3/16" (5mm) below outside edge of sink.
 Finish: Exposed surfaces are hand polished to a Bright Satin finish.

Underside: Fully undercoated to reduce condensation and dampen sound.

OTHER

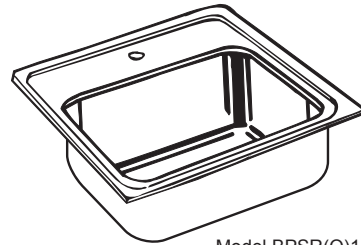
Drain Opening: 2" (51mm).
 NOTE: BPSH15C is furnished with 3 faucet holes.
 Sink complies with ASME A112.19.3-2008 / CSA B45.4-08.



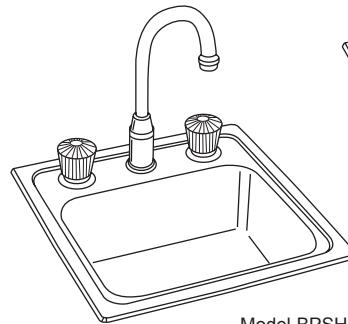
These sinks are listed by the International Association of Plumbing and Mechanical Officials as meeting the requirements of the Uniform Plumbing Code and the National Plumbing Code of Canada.



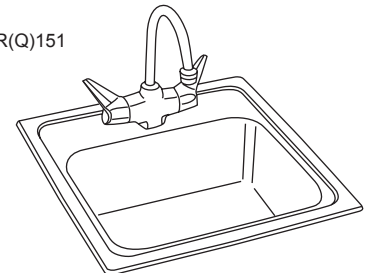
These sinks are compliant to ADA and ANSI/ICC A117.1 accessibility requirements when installed according to the requirements outlined in these standards.



Model BPSR(Q)151



Model BPSH15C



Model BPSRA150C

SINK PACKAGES

BPSRA150C Package includes:

- (1) **BPSR15** Sink.
- (1) **LK20888** Deluxe two-handle faucet with 4-1/2" (114mm) rigid goose-neck spout.
- (1) **LK36** Strainer.

BPSH15C Package includes:

- (1) **BPSR15** Sink.
- (1) **LKA2437** Hi-Arc® two-handle bar faucet with 9" (229mm) high (deck to aerator height) traditional swing spout.
- (1) **LK36** Strainer.

OPTIONAL ACCESSORIES

Bottom Grid: LKWBG1209SS
 Cutting Board: CB912
 Drain: LK36
 Rinsing Basket: LKWRB1209SS
 Utensil Caddy for Rinsing Basket: LKWUCSS



**SINKS ARE
MADE IN THE USA**

SINK DIMENSIONS (INCHES)*

U-Channel Model Number	Quick-Clip Model Number	Overall		Inside Bowl			Cutout in Countertop (1-1/2" (38mm) Radius Corners)		No. of 1-1/4" (32mm) or 1-1/2" (38mm) Dia. Faucet Holes 4" (102 mm) centers	Minimum Cabinet Size
		L	W	L	W	D	L	W		
BPSRA150C	-	15 (381mm)	15 (381mm)	12 (318mm)	9-1/4 (318mm)	6-1/8 (318mm)	14-3/8 (318mm)	14-3/8 (318mm)	1	18 (457mm)
BPSH15C	-	15 (381mm)	15 (381mm)	12 (318mm)	9-1/4 (318mm)	6-1/8 (318mm)	14-3/8 (318mm)	14-3/8 (318mm)	3	18 (457mm)
BPSR15	BPSRQ15	15 (381mm)	15 (381mm)	12 (318mm)	9-1/4 (318mm)	6-1/8 (318mm)	14-3/8 (318mm)	14-3/8 (318mm)	1, 2, MR2, or 3	18 (457mm)

*Length is left to right. Width is front to back

SEE OTHER SIDE FOR PRODUCT DIMENSIONS.

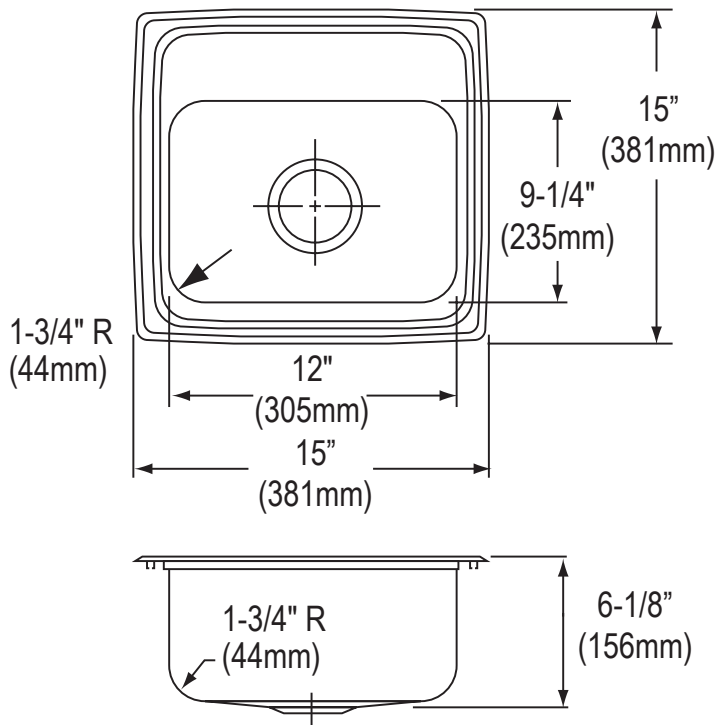
In keeping with our policy of continuing product improvement, Elkay reserves the right to change product specifications without notice.

This specification describes an Elkay product with design, quality and functional benefits to the user. When making a comparison of other producers' offerings, be certain these features are not overlooked.

**Pacemaker® Single Bowl Hospitality Sink
and Sink Packages**

Models BPSRA150C, BPSH15C, BPSR15 and BPSRQ15

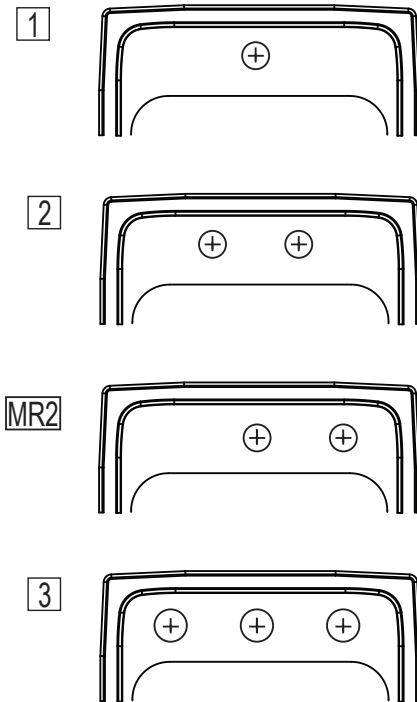
**ELKAY®
SPECIFICATIONS**



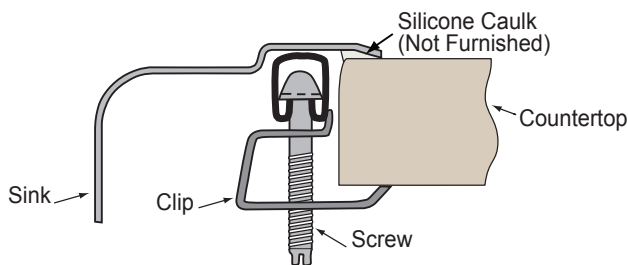
Model BPSR15

Hole Drilling Configurations

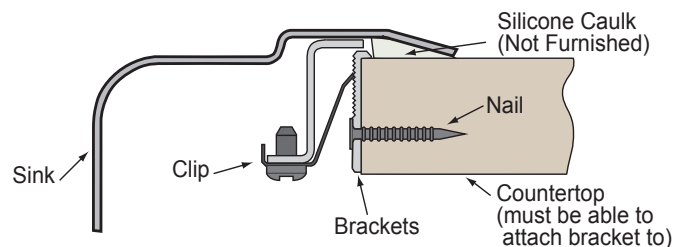
1-1/4" (32mm) Diameter Faucet Holes
For 1 and 2 Hole Models
1-1/2" (38mm) Diameter Faucet Holes
For 3 Hole Model
Faucet Holes on 4" (102 mm) Centers



Installation Profile



**Installation Profile
Quick-Clip® Mounting System**



In keeping with our policy of continuing product improvement, Elkay reserves the right to change product specifications without notice.

This specification describes an Elkay product with design, quality and functional benefits to the user. When making a comparison of other producers' offerings, be certain these features are not overlooked.