

# DAYTON SPECIFICATIONS

## Elite® by Dayton® Double Bowl Models DSE23321 and DSE23322

### GENERAL

Sink bowls are seamlessly drawn of #20 gauge, nickel bearing stainless steel. Self-rimming.

### DESIGN FEATURES

Bowl Depth: 8-1/16".

Coved Corners: Vertical corners are rounded to a minimum of 3" radius. Horizontal corners are rounded to a minimum of 2-1/4" radius.

Faucet Deck: Raised.

Finish: Exposed surfaces are polished to a ultra radiant finish with highshine bowl radius.

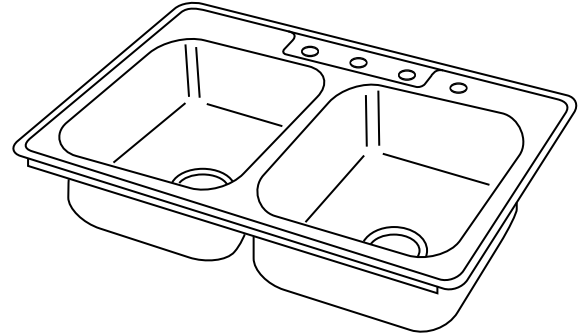
Underside: Fully undercoated to prevent condensation and deaden sound.

Self-rimming: Sink is furnished with appropriate number of clips and screws to provide a secure, watertight installation.

### OTHER

Drain Opening: 3-1/2".

NOTE: Unless otherwise specified, sink is furnished with 4 faucet holes as shown.



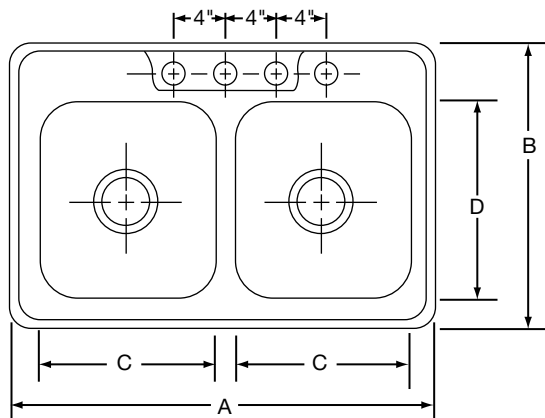
Model DSE233224



This sink is listed with the Canadian Standards Association.

### SINK DIMENSIONS (INCHES)\*

Model Number	Overall		Inside Bowl			Cutout in Countertop (1 1/2" Radius Corners)		No. of 1 1/2" Dia. Faucet Holes 4" Centers	Minimum Cabinet Size	Ship. Wt. Lbs.
	L	W	L	W	D	L	W			
	A	B	C	D	E					
DSE23321	33	21 1/4	14	15 3/4	8 1/16	32 3/8	20 5/8	3, 4 or 5	36	18
DSE23322	33	22	14	15 3/4	8 1/16	32 3/8	21 3/8	2, 3, 4 or 5	36	18 1/4



E is Bowl Depth

ALL DIMENSIONS IN INCHES, TO CONVERT TO MILLIMETERS MULTIPLY BY 25.4.

In keeping with our policy of continuing product improvement, Elkay reserves the right to change product specifications without notice.

This specification describes an Elkay product with design, quality and functional benefits to the user. When making a comparison of other producers' offerings, be certain these features are not overlooked.

Elkay

www.elkayusa.com

2222 Camden Court  
Oak Brook, IL 60523

Printed in U.S.A.  
©2003 Elkay

(Rev. 7/03) 2-11E