

**Lustertone® Gourmet Single Bowl Sink
With Ribbed Area
18 Gauge - Type 304 - Self Rim
Model ILGR4322L and ILGR4322R**



SPECIFICATIONS

GENERAL

Highest quality. Sink bowls are seamlessly drawn of #18 gauge, type 304 (18-8) nickel bearing stainless steel. Self-rimming.

DESIGN FEATURES

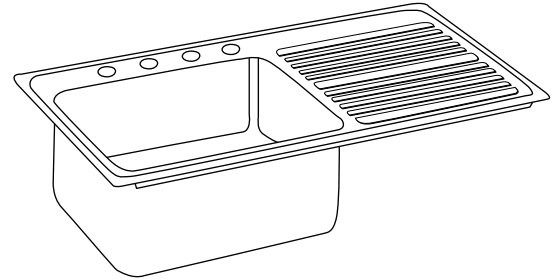
Bowl Depth: 10".
Coved Corners: 1-3/4" radius.
Finish: Exposed surfaces are hand blended to a lustrous highlighted Lasting Beauty satin finish.
Underside: Fully protected by heavy duty Sound Guard undercoating to prevent condensation and deaden sound.
Bowl and Faucet Deck are recessed 3/16" below outside edge of sink..

OTHER

Drain opening: 3-1/2".
Faucet Holes: Available with 0, 1, 2, 3, 4 or 5 1-1/2" diameter faucet holes 4" center.

OPTIONAL ACCESSORIES

Cutting Board: CB1716
Rinsing Basket: LKRB1520, LKERBSS or VB1816.
These sinks comply with ANSI Standard A112.19.3M.



Model ILGR4322L4

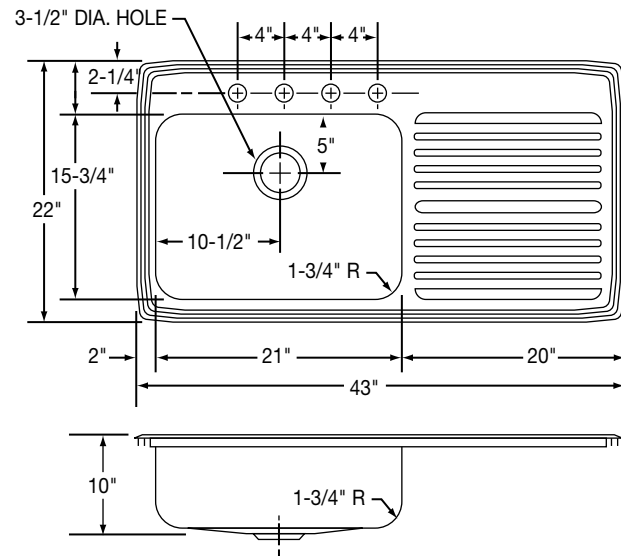


This sink is listed by the International Association of Plumbing and Mechanical Officials as meeting the requirements of the Uniform Plumbing Code.

SINK DIMENSIONS (INCHES)*

Model Number	Overall		Inside Bowl			Ribbed Area Length	Bowl Location	Cutout in Countertop (1 1/2" Radius Corners)		Ship. Wt. Lbs.
	L	W	L	W	D			L	W	
ILGR4322L	43	22	21	15 3/4	10	20	Left	42 3/8	21 3/8	32
ILGR4322R	43	22	21	15 3/4	10	20	Right	42 3/8	21 3/8	32

*Length is left to right. Width is front to back.
Suffix "L" (left) or "R" (Right) denotes bowl is left or right of ribbed areas.



Model ILGR4322L4 Illustrated

In keeping with our policy of continuing product improvement, Elkay reserves the right to change product specifications without notice.

ALL DIMENSIONS IN INCHES, TO CONVERT TO MILLIMETERS MULTIPLY BY 25.4.

This specification describes an Elkay product with design, quality and functional benefits to the user. When making a comparison of other producers' offerings, be certain these features are not overlooked.