

# ELKAY<sup>®</sup>

## SPECIFICATIONS

### The Mystic<sup>®</sup> by Elkay Undermount Sink Models MYSTIC2812 and MYSTIC281235

#### GENERAL

Highest quality sink formed of #16 (1.6mm) gauge, type 304 (18-8) nickel bearing stainless steel. Comes complete with **LK8** (MYSTIC2812) or **LK99** (MYSTIC281235) drain.

#### DESIGN FEATURES

Bowl Depth: Sloping from 2-5/8" (67mm) to 4-1/2" (114mm).

Finish: Exposed surfaces are hand polished to a Lustrous Satin finish.

Underside: Fully under coated to dampen sound and reduce condensation.

#### OTHER

Drain Opening: 2" (51mm) (MYSTIC2812), 3-1/2" (89mm) (MYSTIC281235).

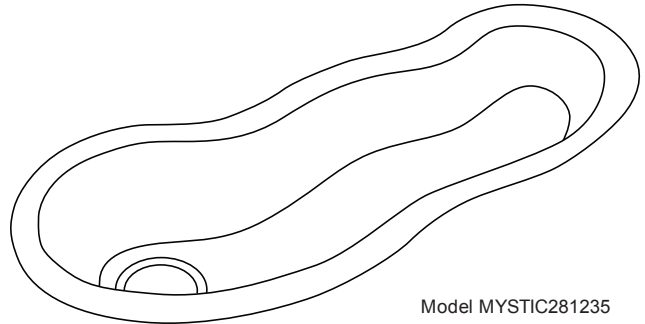
Sink complies with ASME A112.19.3/ CSA B45.4



Sinks are listed by IAPMO<sup>®</sup> as meeting the applicable requirements of the Uniform Plumbing Code<sup>®</sup>, International Plumbing Code<sup>®</sup>, and National Plumbing Code of Canada.



These sinks are compliant to ADA and ANSI/ICC A117.1 accessibility requirements when installed according to the requirements outlined in these standards.



Model MYSTIC281235

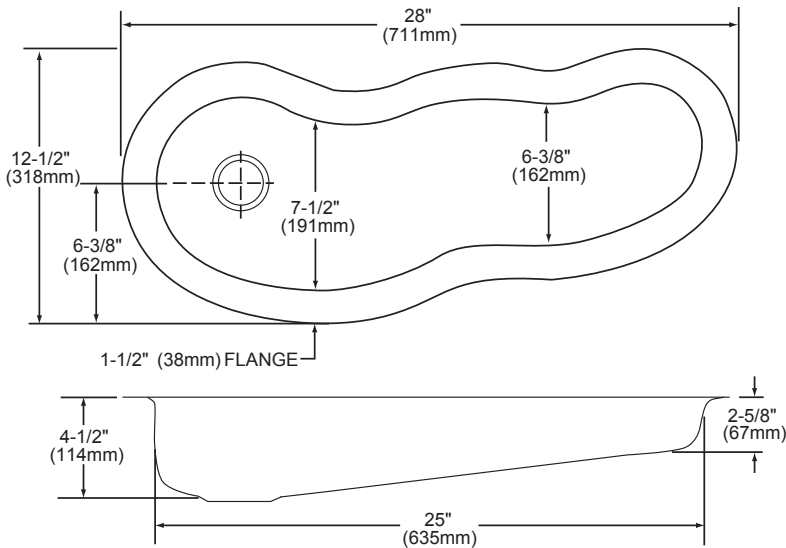
#### SINK DIMENSIONS\*

Model Number	Overall		Inside Bowl			Drain Opening	Cutout in Countertop	Minimum Cabinet Size
	L	W	L	W	D			
MYSTIC2812	28 (711mm)	12 1/2 (318mm)	25 (635mm)	†	2 5/8 to 4 1/2 (67mm) (114mm)	2 (51mm)	See Template**	33 (838mm)
MYSTIC281235	28 (711mm)	12 1/2 (318mm)	25 (635mm)	†	2 5/8 to 4 1/2 (67mm) (114mm)	3 1/2 (89mm)		33 (838mm)

\* Length is left to right. Width is front to back.

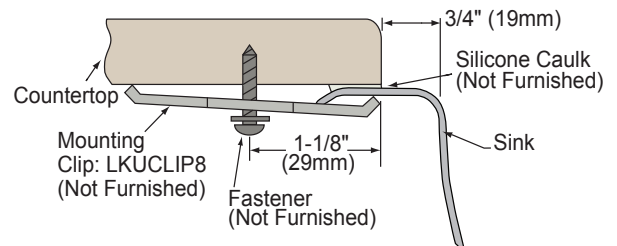
\*\* Template 1000001409 is packed with every sink.

† See below for an illustration.



Model MYSTIC2812 illustrated

#### Undermount Application 3/4" (19mm) Reveal



Designed to affix to the underside of any solid surface countertop.

In keeping with our policy of continuing product improvement, Elkay reserves the right to change product specifications without notice. Please visit [elkay.com](http://elkay.com) for the most current version of Elkay product specification sheets.

This specification describes an Elkay product with design, quality, and functional benefits to the user. When making a comparison of other producers' offerings, be certain these features are not overlooked.

# ELKAY<sup>®</sup>

## SPECIFICATIONS

### The Mystic<sup>®</sup> by Elkay Undermount Sink Models MYSTIC2812 and MYSTIC281235

#### OPTIONAL ACCESSORIES

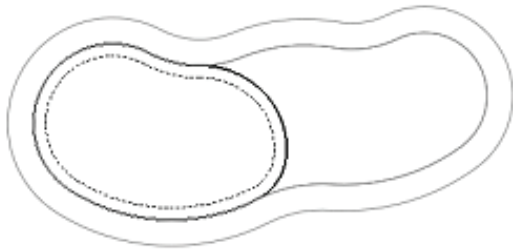
Mounting Clips: LKUCLIP8

For Additional Accessories see table below

Model Number	Description	Bowl	Overall			Material/Finish
			L	W	Depth/Thickness	
LKCB2812HW	Cutting Board**	N/A	10-1/8" (257mm)	14-1/2" (368mm)	1" (25mm)	Hardwood

\* Length is left to right. Width is front to back.

\*\* Sink must be installed with a 3/4" reveal for cutting board to fit properly.



In keeping with our policy of continuing product improvement, Elkay reserves the right to change product specifications without notice. Please visit [elkay.com](http://elkay.com) for the most current version of Elkay product specification sheets.

This specification describes an Elkay product with design, quality, and functional benefits to the user. When making a comparison of other producers' offerings, be certain these features are not overlooked.