

ELKAY®

SPECIFICATIONS

Gourmet Undermount Double Bowl Sink with Apron Models ELUHF3320 and ELUHF332010

NEW ELUH Installation Options

ELUH models have been redesigned to accommodate 1/2" reveal and no reveal installation options.

GENERAL

Highest quality sink formed of #18 (1.2mm) gauge, type 304 (18-8) nickel bearing stainless steel. Undermount.

DESIGN FEATURES

Bowl Depth: 7-7/8" (200mm) (ELUHF3320), 10" (254mm) (ELUHF332010).

Apron Height: 8" (203mm)

Coved Corners: 1-3/4" (44mm) vertical and horizontal radius.

Finish: Exposed surfaces are hand blended to a Lustrous Highlighted Satin finish.

Underside: Underside of sink is fully protected by heavy duty Sound Guard® undercoating to reduce condensation and dampen sound.

OTHER

Drain Opening: 3-1/2" (89mm).

NOTE: All Elkay undermount sinks are designed to affix to the underside of any solid surface countertop.

Sink complies with ASME A112.19.3/ CSA B45.4



Sinks are listed by IAPMO® as meeting the applicable requirements of the Uniform Plumbing Code®, International Plumbing Code®, and National Plumbing Code of Canada.

OPTIONAL ACCESSORIES

Bottom Grid: LKWOBG1316SS

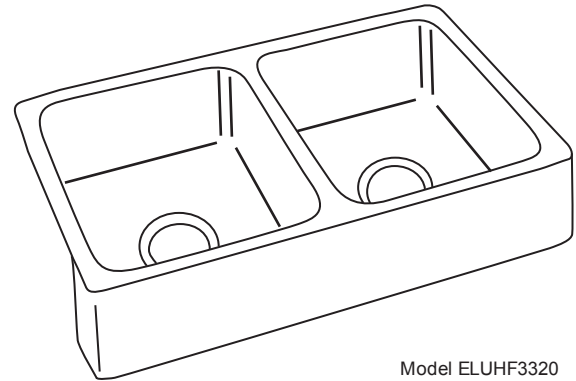
Cutting Boards: (All cutting boards for reveal mount only) CB1613, CB1713, CBR1316, CBS1316

Drain: LK99

Mounting Clip: LKUCLIP8 (2 packages required)

Rinsing Baskets: LKWRB1316SS, LKWERBSS

Utensil Caddy for Rinsing Basket: LKWUCSS



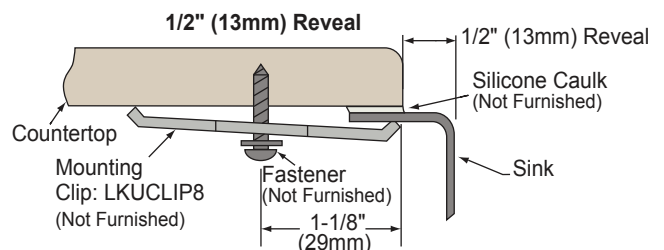
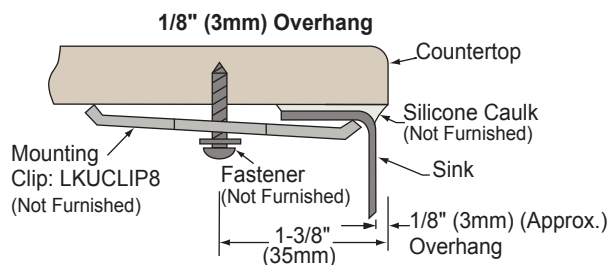
Model ELUHF3320



SINK PACKAGE(S)

| MODEL | SINK | BOTTOM GRID | QTY | DRAIN | QTY |
|----------------|-------------|--------------|-----|-------|-----|
| ELUHF332010DBG | ELUHF332010 | LKWOBG1316SS | 1 | LK99 | 1 |
| ELUHF3320DBG | ELUHF3320 | LKWOBG1316SS | 1 | LK99 | 1 |

Installation Profile



In keeping with our policy of continuing product improvement, Elkay reserves the right to change product specifications without notice. Please visit elkay.com for the most current version of Elkay product specification sheets.

This specification describes an Elkay product with design, quality, and functional benefits to the user. When making a comparison of other producers' offerings, be certain these features are not overlooked.

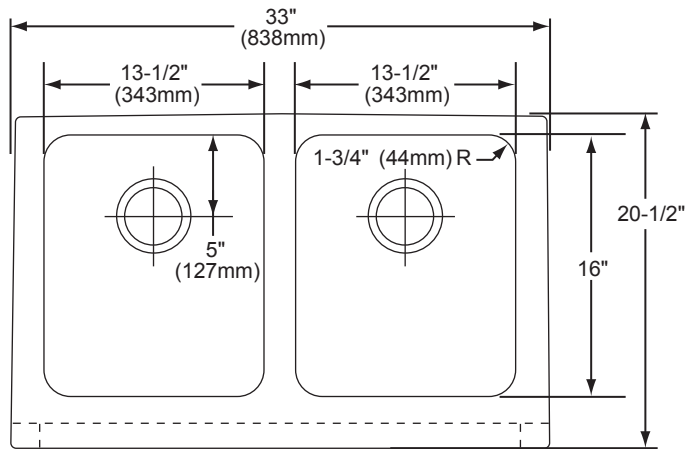
**Gourmet Undermount
Double Bowl Sink with Apron
Models ELUHF3320 and ELUHF332010**

SINK DIMENSIONS*

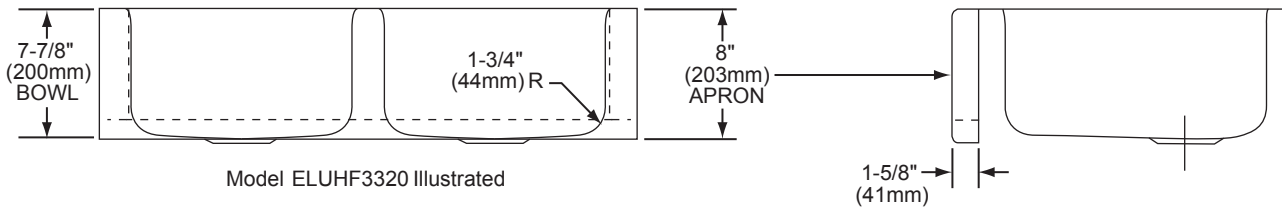
| Model Number | Overall | | Inside Each Bowl | | | Minimum Cabinet Size |
|--------------|---------------|-------------------|-------------------|---------------|------------------|----------------------|
| | L | W | L | W | D | |
| ELUHF3320 | 33 (838mm) | 20 1/2 (521mm) | 13 1/2 (343mm) | 16 (406mm) | 7 7/8 (200mm) | 36 (914mm) |
| ELUHF332010 | 33 (838mm) | 20 1/2 (521mm) | 13 1/2 (343mm) | 16 (406mm) | 10 (254mm) | 36 (914mm) |

*Length is left to right. Width is front to back.

TOP VIEW

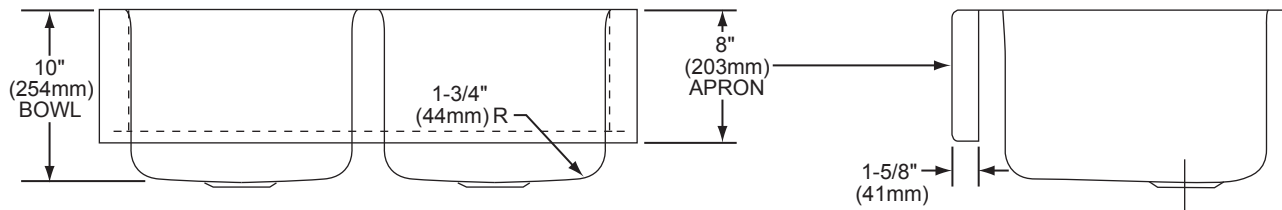


SIDE VIEW



Model ELUHF3320 Illustrated

SIDE VIEW



Model ELUHF332010 Illustrated

In keeping with our policy of continuing product improvement, Elkay reserves the right to change product specifications without notice. Please visit elkay.com for the most current version of Elkay product specification sheets.

This specification describes an Elkay product with design, quality, and functional benefits to the user. When making a comparison of other producers' offerings, be certain these features are not overlooked.