

ELKAY[®]

SPECIFICATIONS

Harmony™ Undermount Triple Bowl Sink Model ELUH3920

NEW ELUH Installation Options

ELUH models have been redesigned to accommodate 1/2" reveal and no reveal installation options.

GENERAL

Highest quality sink formed of #18 (1.2mm) gauge, type 304 (18-8) nickel bearing stainless steel. Undermount.

DESIGN FEATURES

Bowl Depth: 10" (254mm) (left bowl), 5-9/16" (141mm) (center), 7-1/2" (191mm) (right bowl).

Finish: Exposed surfaces are hand blended to a Lustrous Highlighted Satin finish.

Underside: Underside of sink is fully protected by heavy duty Sound Guard[®] undercoating to reduce condensation and dampen sound.

OTHER

Drain Openings: 3-1/2" (89mm).

Note: All Elkay undermount sinks are designed to affix easily to the underside of any solid surface countertop.

Sink complies with ASME A112.19.3/ CSA B45.4

 Sinks are listed by IAPMO[®] as meeting the applicable requirements of the Uniform Plumbing Code[®], International Plumbing Code[®], and National Plumbing Code of Canada.

OPTIONAL ACCESSORIES

Bottom Grids: LKWOBG1617SS (left bowl), LKWOBG1115SS (right bowl)

Colander: SC1407 (center bowl)

Cutting Board: (Reveal mount only) CB1713 (left bowl)

Drains: LK99

Mounting Clip: LKUCLIP8 (3 packages required)

Rinsing Baskets: LKW RB1115SS (right bowl), LKW RB1617SS, LKW ERBSS (left bowl)

LKW RB715SS (center bowl)

Utensil Caddy for Rinsing Basket: LKWUCSS

SINK PACKAGE

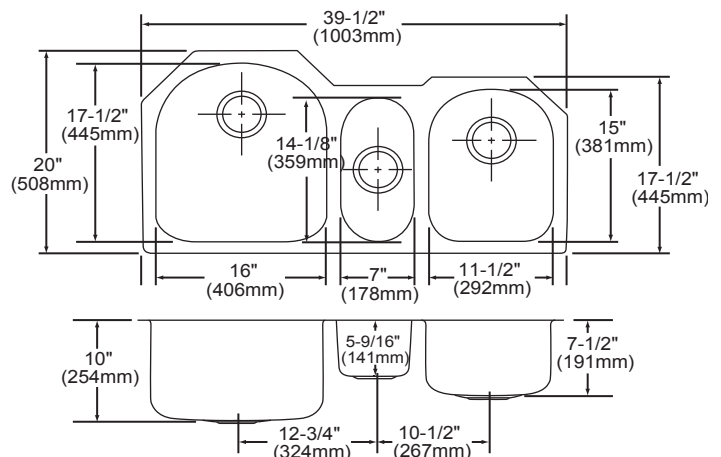
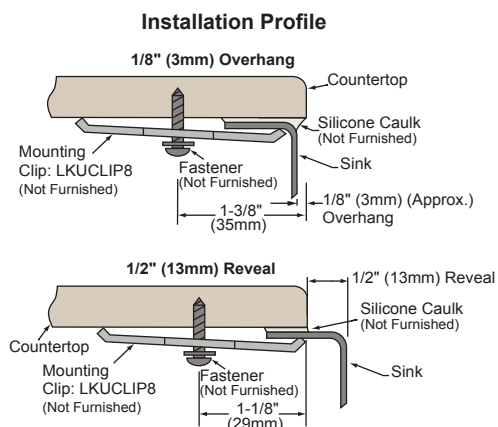
| MODEL | SINK | BOTTOM GRID | QTY | BOTTOM GRID | QTY | DRAIN | QTY |
|-------------|----------|--------------|-----|--------------|-----|-------|-----|
| ELUH3920DBG | ELUH3920 | LKWOBG1115SS | 1 | LKWOBG1617SS | 1 | LK99 | 2 |

SINK DIMENSIONS*

| Model Number | Overall | | Inside Left Bowl | | | Inside Center Bowl | | | Inside Right Bowl | | | Cutout in Countertop | Minimum Cabinet Size |
|--------------|---------------------|----------------|------------------|--------------------|----------------|--------------------|--------------------|--------------------|--------------------|----------------|-------------------|----------------------|----------------------|
| | L | W | L | W | D | L | W | D | L | W | D | | |
| ELUH3920 | 39 1/2" (1003mm) | 20" (508mm) | 16" (406mm) | 17 1/2" (445mm) | 10" (254mm) | 7" (178mm) | 14 1/8" (359mm) | 5 9/16" (141mm) | 11 1/2" (292mm) | 15" (381mm) | 7 1/2" (191mm) | See Template** | 45" (1143mm) |

*Length is left to right. Width is front to back.

**Template #100001462 is packed with every sink.



In keeping with our policy of continuing product improvement, Elkay reserves the right to change product specifications without notice. Please visit elkay.com for the most current version of Elkay product specification sheets.

This specification describes an Elkay product with design, quality, and functional benefits to the user. When making a comparison of other producers' offerings, be certain these features are not overlooked.