

# ELKAY®

## SPECIFICATIONS

### Gourmet Undermount Double Bowl Sink Model ELUH3116

#### NEW ELUH Installation Options

ELUH models have been redesigned to accommodate 1/2" reveal and no reveal installation options.

#### GENERAL

Highest quality sink formed of #18 (1.2mm) gauge, type 304 (18-8) nickel bearing stainless steel. Undermount.

#### DESIGN FEATURES

Bowl Depth: 7-1/2" (191mm).

Coved Corners: 1-3/4" (44mm) vertical and horizontal radius

Finish: Exposed surfaces are hand blended to a Lustrous Highlighted Satin finish.

Underside: Underside of sink is fully protected by heavy duty Sound Guard® undercoating to reduce condensation and dampen sound.

#### OTHER

Drain Opening: 3-1/2" (89mm).

Note: All Elkay undermount sinks are designed to affix to the underside of any solid surface countertop.

Sink complies with ASME A112.19.3/ CSA B45.4

 Sinks are listed by IAPMO® as meeting the applicable requirements of the Uniform Plumbing Code®, International Plumbing Code®, and National Plumbing Code of Canada.

#### OPTIONAL ACCESSORIES

Bottom Grid: LKWBG1414SS

Cutting Boards: (Reveal mount only) CB1613, CBR1418

Drain: LK99

Rinsing Basket: LKWRB1414SS

Mounting Clip: LKUCLIP8 (2 packages required)

Utensil Caddy for Rinsing Basket: LKWUCSS

#### SINK PACKAGE(S)

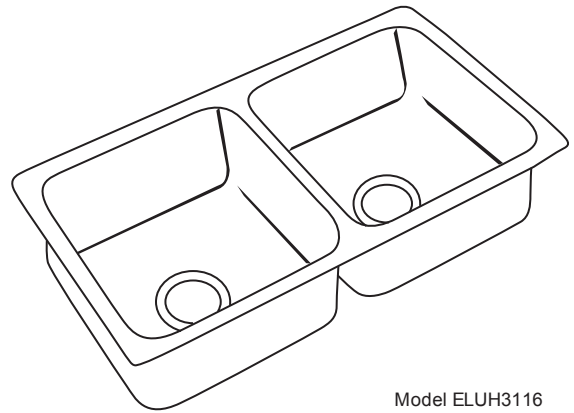
MODEL	SINK	BOTTOM GRID	QTY	DRAIN	QTY
ELUH3116DBG	ELUH3116	LKWBG1414SS	1	LK99	1

#### SINK DIMENSIONS\*

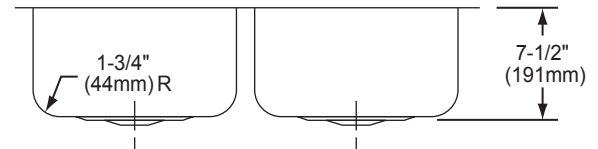
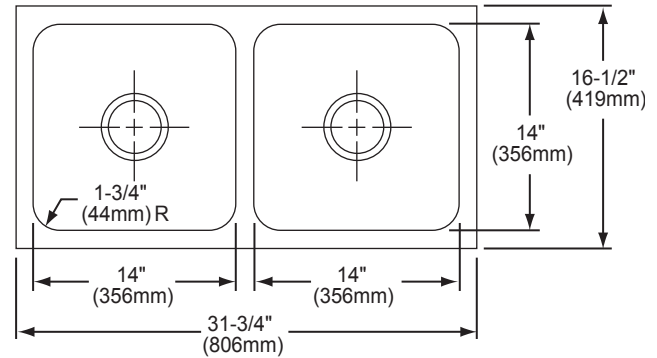
Model Number	Overall		Inside Each Bowl			Cutout in Countertop	Minimum Cabinet Size
	L	W	L	W	D		
ELUH3116	31 <sup>3</sup> / <sub>4</sub> (806mm)	16 <sup>1</sup> / <sub>2</sub> (419mm)	14 (356mm)	14 (356mm)	7 <sup>1</sup> / <sub>2</sub> (191mm)	See Template**	36 (914mm)

\*Length is left to right. Width is front to back.

\*\*Template #1000001292 is packed with every sink.



Model ELUH3116

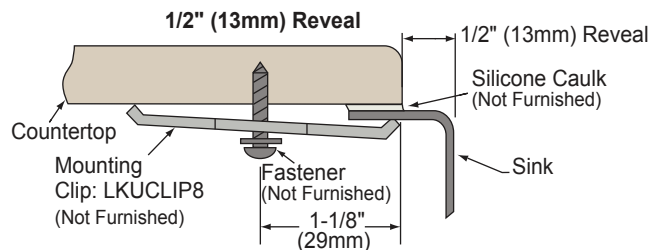
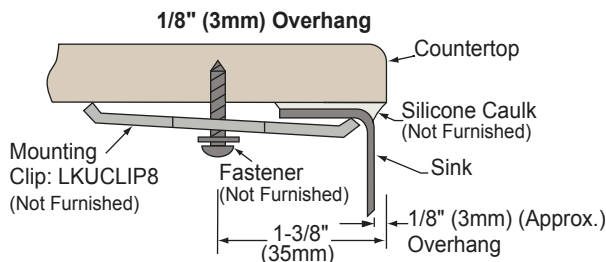


Model ELUH3116 Illustrated

Sinks Are



#### Installation Profile



In keeping with our policy of continuing product improvement, Elkay reserves the right to change product specifications without notice. Please visit [elkay.com](http://elkay.com) for the most current version of Elkay product specification sheets.

This specification describes an Elkay product with design, quality, and functional benefits to the user. When making a comparison of other producers' offerings, be certain these features are not overlooked.