

# ELKAY® SPECIFICATIONS

## Gourmet Single Bowl Sink Model DCR252210

### GENERAL

Good quality Celebrity single bowl is seamlessly drawn of #20 gauge, type 304 (18-8) nickel bearing stainless steel. Top Mount. Exclusive trimmed corner design.

### DESIGN FEATURES

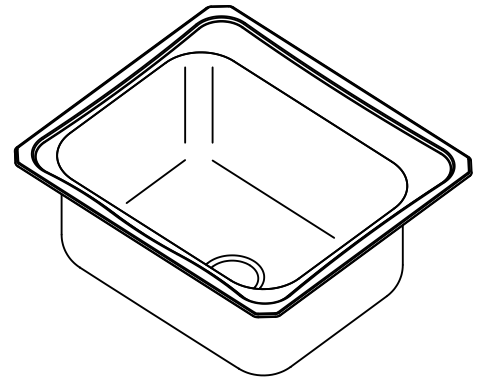
Bowl Depth: 10-1/4" (260mm).  
Coved Corners: 3" (76mm) vertical radius, 1-3/4" (44mm) horizontal radius.  
Bowl and Faucet Deck Recess: 3/16" (5mm) total recess below outside edge of sink.  
Finish: Exposed surfaces are polished to a Brushed Satin Finish.  
Underside: Fully undercoated.

### OTHER

Drain Opening: 3-1/2" (89mm).  
Faucet Holes: 1, 2, 3, 4, 5 or MR2, 1-1/2" faucet holes as indicated, 4" center to center.

### OPTIONAL ACCESSORIES

Rinsing Baskets: LKWRB2115SS and LKWERBSS.  
Utensil Caddy: LKWUCSS  
Bottom Grid: LKWBG2115SS  
Cutting Board: CB1516.



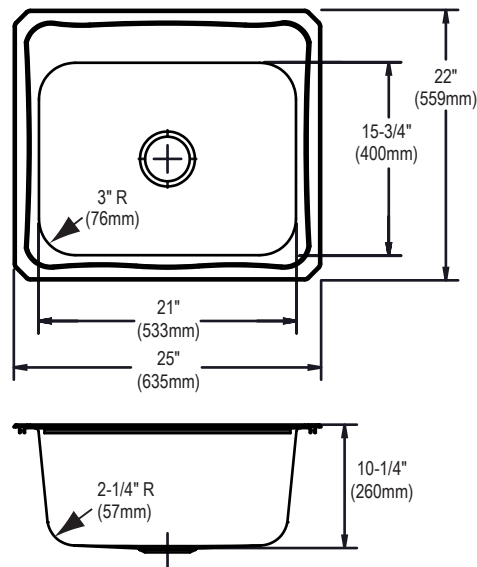
Model DCR252210

### SINK DIMENSIONS\*

Model Number	Overall		Inside Bowl			Cutout in Countertop (1-1/2" (38mm) Radius Corners)		No. of 1 1/4" (32mm) or 1 1/2" (38mm) Dia. Faucet Holes 4" (102mm) centers	Minimum Cabinet Size
	L	W	L	W	D	L	W		
DCR252210	25 (635mm)	22 (559mm)	21 (533mm)	15 3/4 (400mm)	10 1/4 (260mm)	24 3/8 (619mm)	21 3/8 (543mm)	1, 2, MR2, 3, 4 or 5	30 (762mm)

\* Length is left to right. Width is front to back.

\*\* Template #1000001188 is packed with every sink.



Model DCR252210 Illustrated

In keeping with our policy of continuing product improvement, Elkay reserves the right to change product specifications without notice. Please visit [elkay.com](http://elkay.com) for the most current version of Elkay product specification sheets.

This specification describes an Elkay product with design, quality, and functional benefits to the user. When making a comparison of other producers' offerings, be certain these features are not overlooked.