

ELKAY® SPECIFICATIONS

Pacemaker® Single Bowl Hospitality Sink No Faucet Ledge Models BPSFR1215 and BPSFRQ1215

GENERAL

Fine quality sink bowl seamlessly formed of #20 gauge, type 304 (18-8) nickel bearing stainless steel. Top Mount.

DESIGN FEATURES

Bowl Depth: 6-1/8" (156mm)

Coved Corners: 1-3/4" (44mm) vertical and horizontal radius.

Rim Height: 5/32" (4mm) below outside ledge of sink.

Finish: Exposed surfaces are hand polished to a Bright Satin finish.


Underside: Fully undercoated to dampen sound and prevent condensation.

OTHER

Drain Opening: 2" (51mm)

Sink complies with ASME A112.19.3/ CSA B45.4

 Sinks are listed by IAPMO® as meeting the applicable requirements of the Uniform Plumbing Code®, International Plumbing Code®, and National Plumbing Code of Canada.

 These sinks are compliant to ADA and ANSI/ICC A117.1 accessibility requirements when installed according to the requirements outlined in these standards.

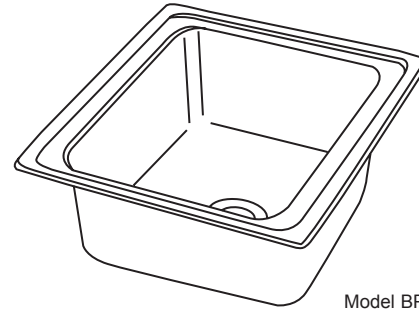
OPTIONAL ACCESSORIES

Cutting Board: CB912

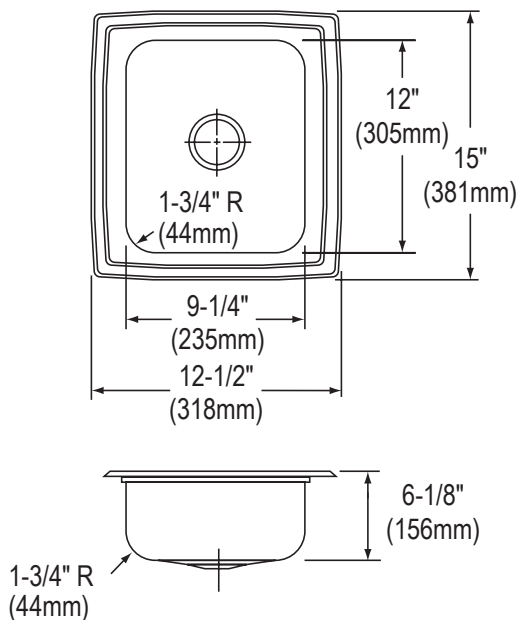
SINK DIMENSIONS*

U-Channel Model Number	Quick-Clip Model Number	Overall		Inside Bowl			Cutout in Countertop (1-1/2" (38mm) Radius Corners)		Minimum Cabinet Size
		L	W	L	W	D	L	W	
BPSFR1215	BPSFRQ1215	12-1/2 (318mm)	15 (381mm)	9-1/4 (235mm)	12 (305mm)	6-1/8 (156mm)	11-7/8 (302mm)	14-3/8 (365mm)	18 (457mm)

*Length is left to right. Width is front to back.

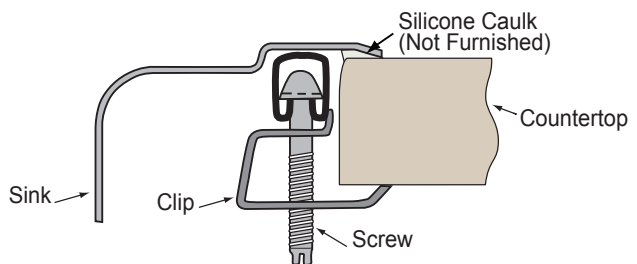


Model BPSFR(Q)1215

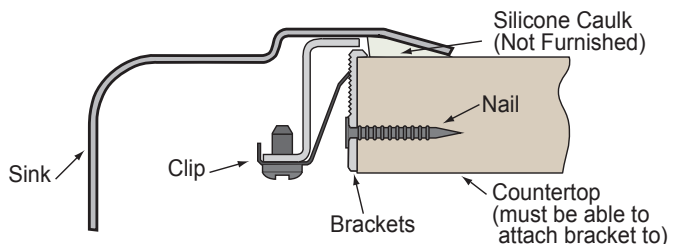


Model BPSFR1215 Illustrated

Installation Profile



Installation Profile Quick-Clip® Mounting System



In keeping with our policy of continuing product improvement, Elkay reserves the right to change product specifications without notice. Please visit elkay.com for the most current version of Elkay product specification sheets.

This specification describes an Elkay product with design, quality, and functional benefits to the user. When making a comparison of other producers' offerings, be certain these features are not overlooked.