

# ELKAY® SPECIFICATIONS

## Gourmet® Single Bowl Sink Featuring E-Granite, Top Mount Models ELG2522 Series

### GENERAL

Molded from Elkay E-Granite which is up to 85% natural quartz and high performance acrylic resins. E-Granite is non-porous and resists staining. E-Granite is hard enough to resist scratches and chips, is naturally sound deadened, and heat resistant. The color is solid throughout the sink and is UV resistant to prevent color-fading in indoor applications. Top mount.

### DESIGN FEATURES

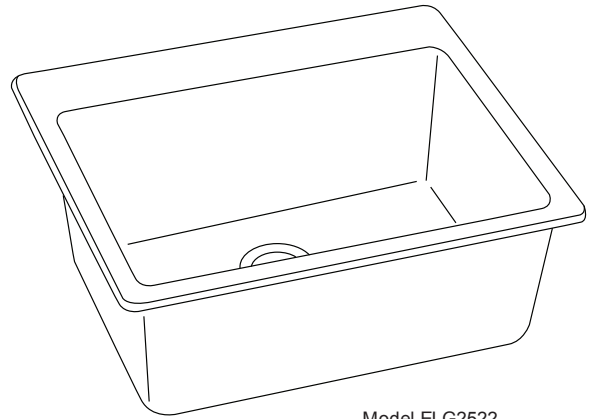
Bowl Depth: 9-1/2" (241mm).  
Rim Height: 3/8" (10mm).  
Material: Elkay E-Granite.  
Color Options with natural accents: Black (BK), Bisque (BQ), Mocha (MC) or White (WH).

### OTHER

Drain Opening: 3-1/2" (89mm).  
Note: Faucet holes are pre-scored for flexible installation. Installer can punch up to 4 faucet holes.  
These sinks comply with ANSI Z124.6 and CSA B45-02.



These sinks are listed by the International Association of Plumbing and Mechanical Officials as meeting the requirements of the Uniform Plumbing Code and the National Plumbing Code of Canada.

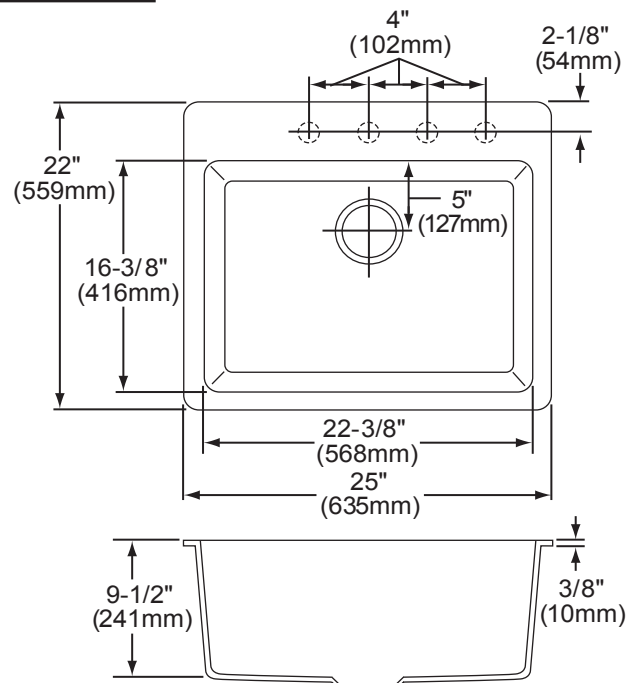
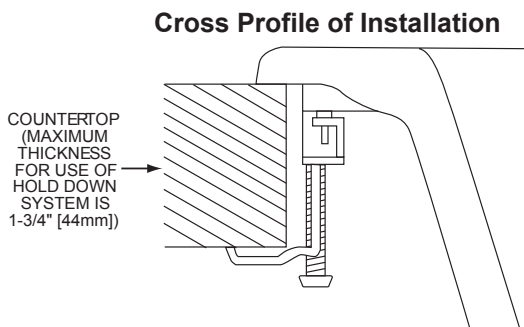


Model ELG2522

### SINK DIMENSIONS\*

Model Number	Overall		Inside Bowl			Cutout in Countertop 1" (25mm) Radius Corners		No. of Pre-scored 1 1/2" (38mm) Dia Faucet Holes	Minimum Cabinet Size
	L	W	L	W	D	L	W		
ELG2522BK	25 (635mm)	22 (559mm)	22 <sup>3</sup> / <sub>8</sub> (568mm)	16 <sup>3</sup> / <sub>8</sub> (416mm)	9 <sup>1</sup> / <sub>2</sub> (241mm)	24-1/8 (613mm)	21-1/8 (537mm)	4	30 (762mm)
ELG2522BQ	25 (635mm)	22 (559mm)	22 <sup>3</sup> / <sub>8</sub> (568mm)	16 <sup>3</sup> / <sub>8</sub> (416mm)	9 <sup>1</sup> / <sub>2</sub> (241mm)	24-1/8 (613mm)	21-1/8 (537mm)	4	30 (762mm)
ELG2522MC	25 (635mm)	22 (559mm)	22 <sup>3</sup> / <sub>8</sub> (568mm)	16 <sup>3</sup> / <sub>8</sub> (416mm)	9 <sup>1</sup> / <sub>2</sub> (241mm)	24-1/8 (613mm)	21-1/8 (537mm)	4	30 (762mm)
ELG2522WH	25 (635mm)	22 (559mm)	22 <sup>3</sup> / <sub>8</sub> (568mm)	16 <sup>3</sup> / <sub>8</sub> (416mm)	9 <sup>1</sup> / <sub>2</sub> (241mm)	24-1/8 (613mm)	21-1/8 (537mm)	4	30 (762mm)

\*Length is left to right. Width is front to back.



In keeping with our policy of continuing product improvement, Elkay reserves the right to change product specifications without notice. Please visit [elkayusa.com](http://elkayusa.com) for most current version of Elkay product specification sheets.

This specification describes an Elkay product with design, quality and functional benefits to the user. When making a comparison of other producers' offerings, be certain these features are not overlooked.

# ELKAY® SPECIFICATIONS

**Gourmet® Single Bowl Sink  
Featuring E-Granite, Top Mount  
Models ELG2522 Series**

## OPTIONAL ACCESSORIES

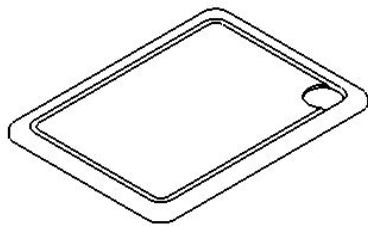
Drains: LKKDT35, LKD35, LKS35

Utensil Caddy for Rinsing Basket: LKWUCSS

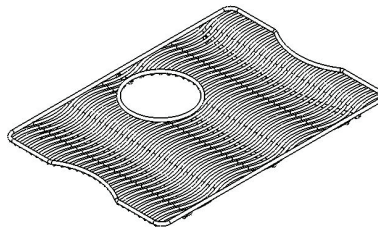
For Additional Accessories see table below

Model Number	Description	Overall			Material/Finish
		L	W	Depth/Thickness	
LKCBEG2217HW	Cutting Board	23-1/4" (591mm)	17-3/8" (441mm)	1" (25mm)	Hardwood
LKWOBG2217SS	Bottom Grid	19-3/4" (503mm)	13-3/4" (350mm)	1-1/8" (29mm)	Polished stainless steel
LKWRB2217SS	Rinsing Basket	19-3/4" (503mm)	13-3/4" (350mm)	5-3/8" (137mm)	Polished stainless steel

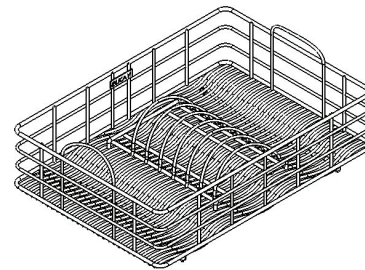
\*Length is left to right. Width is front to back.



LKCBEG2217HW



LKWOBG2217SS



LKWRB2217SS

In keeping with our policy of continuing product improvement, Elkay reserves the right to change product specifications without notice. Please visit [elkayusa.com](http://elkayusa.com) for most current version of Elkay product specification sheets.

This specification describes an Elkay product with design, quality and functional benefits to the user. When making a comparison of other producers' offerings, be certain these features are not overlooked.

**Elkay**

[elkayusa.com](http://elkayusa.com)

2222 Camden Court  
Oak Brook, IL 60523

Printed in U.S.A.  
©2009 Elkay

(Rev. 08/09) 1-283C