

ELKAY[®]

SPECIFICATIONS

The Mystic[®] by Elkay Undermount Sink Model ECU5014ACH

GENERAL

Highest quality contoured sink hand fabricated from #16 (1.6mm) gauge genuine, uncoated copper that will continue to age and tarnish naturally.

DESIGN FEATURES

Bowl Depth: Sloping from 2-1/8" (54mm) to 4-1/2" (114mm).

Finish: Antique Hammered Copper.

Underside: Sound absorbing pads applied to dampen sound.

OTHER

Drain Opening: 3-1/2" (89mm).

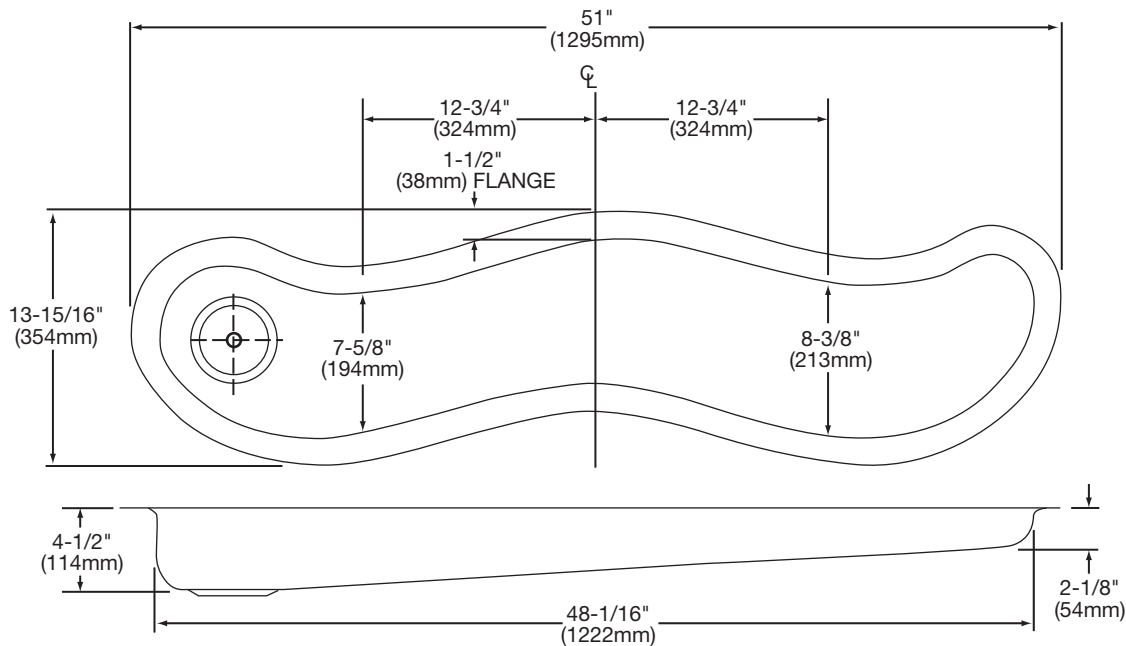
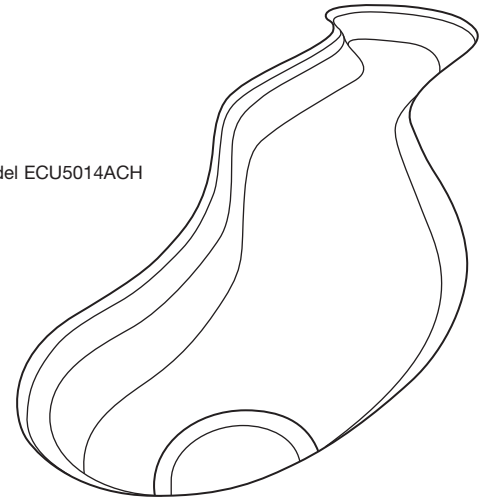
Installation: Requires professional installation. Use actual sink as template to determine cut-out opening. All Elkay undermount sinks are designed to affix to the underside of any solid surface countertop.

SINK DIMENSIONS*

Model Number	Overall		Inside Bowl			Cutout in Countertop	Minimum Cabinet Size
	L	W	L	W	D		
ECU5014ACH	51 (1295mm)	13 ¹⁵ / ₁₆ (354mm)	48 ¹ / ₁₆ (1222mm)	varies	2 ¹ / ₈ to 4 ¹ / ₂ (54mm) (114mm)	Use sink as template	54 (1372mm)

*Length is left to right. Width is front to back. Due to the handcrafted nature of this sink, the dimensions are approximate and may vary.

Model ECU5014ACH



In keeping with our policy of continuing product improvement, Elkay reserves the right to change product specifications without notice. Please visit elkayusa.com for most current version of Elkay product specification sheets.

This specification describes an Elkay product with design, quality and functional benefits to the user. When making a comparison of other producers' offerings, be certain these features are not overlooked.

Elkay

elkayusa.com

2222 Camden Court
Oak Brook, IL 60523

Printed in U.S.A.
©2008 Elkay

(Rev. 7/08)

1-261A