

**Lustertone® Gourmet Single Bowl Hospitality Sink
18 Gauge - Type 304 - Self Rim
Model BILGR2115L and BILGR2115R**



SPECIFICATIONS

GENERAL

Highest quality Lustertone single sink bowl is seamlessly drawn of #18 gauge, type 304 (18-8) nickel bearing stainless steel. Self-rimming.

DESIGN FEATURES

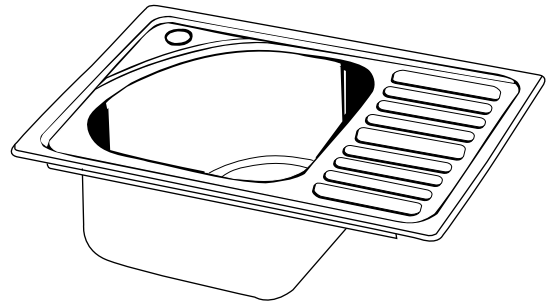
Bowl Depth: 6-1/2".
Bowl Recess: 3/16" below outside edge of sink.
Finish: Exposed surfaces are hand blended to a lustrous high-lighted Lasting Beauty satin finish.
Underside: Fully protected by Heavy Duty Sound Guard undercoating.

OTHER

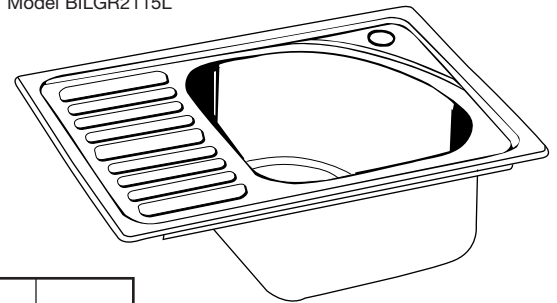
Drain Opening: 2".
NOTE: Available with one faucet hole only.
These sinks comply with ANSI Standard A112.19.3M.



This sink is listed by the International Association of Plumbing and Mechanical Officials as meeting the requirements of the Uniform Plumbing Code.



Model BILGR2115L

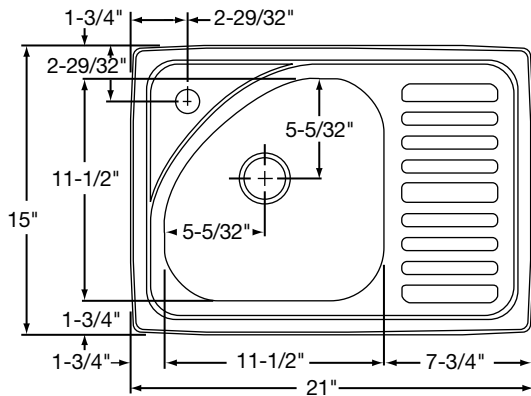


Model BILGR2115R

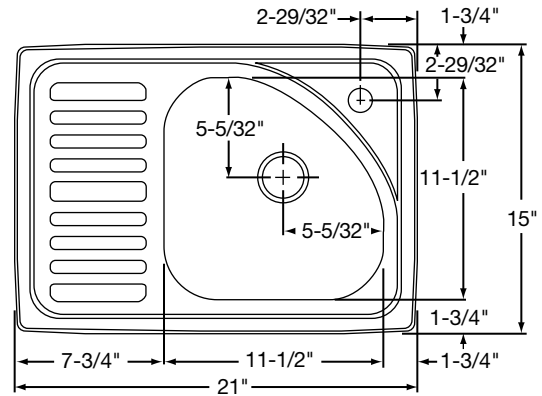
SINK DIMENSIONS (INCHES)*

Model Number	Overall		Inside Bowl			Drain Board Length	Bowl Location	Cutout in Countertop (1 1/2" Radius Corners)		No. of 1 1/4" Dia. Faucet Holes	Ship. Wt. Lbs.
	L	W	L	W	D			L	W		
BILGR2115L	21	15	11 1/2	11 1/2	6 1/2	7 3/4	Left	20 3/8	14 3/8	1	9
BILGR2115R	21	15	11 1/2	11 1/2	6 1/2	7 3/4	Right	20 3/8	14 3/8	1	9

*Length is left to right. Width is front to back.



Model BILGR1515L Illustrated



Model BILGR1515R Illustrated

ALL DIMENSIONS IN INCHES, TO CONVERT TO MILLIMETERS MULTIPLY BY 25.4.

In keeping with our policy of continuing product improvement, Elkay reserves the right to change product specifications without notice.

This specification describes an Elkay product with design, quality and functional benefits to the user. When making a comparison of other producers' offerings, be certain these features are not overlooked.