

ELKAY® SPECIFICATIONS

Gourmet® Undermount Apron Sink Model ECUFS2915ACH

GENERAL

Highest quality contemporary kitchen sink hand fabricated from #16 (1.6mm) gauge genuine, uncoated copper that will continue to age and tarnish naturally. Sink features unique curved front apron.

DESIGN FEATURES

Bowl Depth: 10" (254mm).

Apron Height: 10-1/2" (267mm).

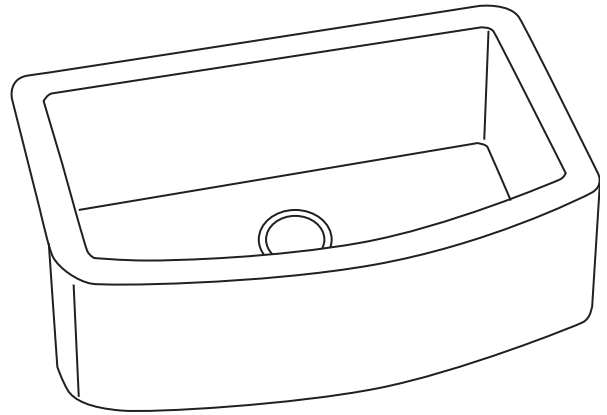
Finish: Antique Hammered Copper.

Underside: Sound absorbing pads applied to dampen sound.

OTHER

Drain Opening: 3-1/2" (89mm).

Installation: Requires professional installation. Use actual sink as template to determine cut-out opening. All Elkay undermount sinks are designed to affix to the underside of any solid surface countertop.



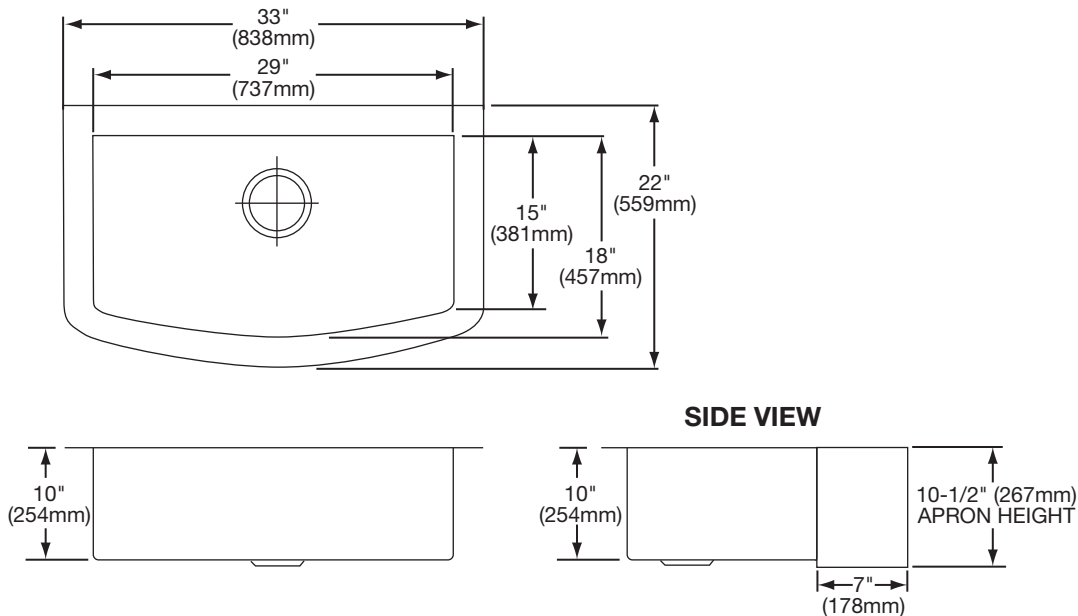
Model ECUFS2915ACH

SINK DIMENSIONS*

Model Number	Overall		Inside Bowl			Cutout in Countertop	Minimum Cabinet Size
	L	W	L	W	D		
ECUFS2915ACH	33 (838mm)	22 (559mm)	29 (737mm)	18 (457mm)	10 (254mm)	Use sink as template	†

*Length is left to right. Width is front to back. Due to the handcrafted nature of this sink, the dimensions are approximate and may vary.

†Due to the size and installation method, a custom cabinet is required. Recommend that installation be accomplished by an experienced and professional installer only.



In keeping with our policy of continuing product improvement, Elkay reserves the right to change product specifications without notice. Please visit elkayusa.com for most current version of Elkay product specification sheets.

This specification describes an Elkay product with design, quality and functional benefits to the user. When making a comparison of other producers' offerings, be certain these features are not overlooked.

Elkay

elkayusa.com

2222 Camden Court
Oak Brook, IL 60523

Printed in U.S.A.
©2008 Elkay

(Rev. 7/08) 1-263A