

# ELKAY® SPECIFICATIONS

## Harmony® Undermount Double Bowl Sink Model ELUH3119 Series

### GENERAL

Highest quality sink formed of #18 (1.2mm) gauge, type 304 (18-8) nickel bearing stainless steel. Undermount.

### DESIGN FEATURES

Bowl Depth: 7-1/2" (191mm) (ELUH3119); 10" (254mm) (ELUH311910 Large Bowl); 7-1/2" (191mm) (ELUH311910 Small Bowl).

Finish: Exposed surfaces are hand blended to a Lustrous Highlighted Satin finish.

Underside: Underside of sink is fully protected by heavy duty Sound Guard™ undercoating to reduce condensation and dampen sound.

### OTHER

Drain Opening: 3-1/2" (89mm).

Note: All Elkay undermount sinks are designed to affix to the underside of any solid surface countertop.

Sink complies with ASME A112.19.3-2008 / CSA B45.4-08.

These sinks are listed by the International Association of Plumbing and Mechanical Officials as meeting the requirements of the Uniform Plumbing Code.



### OPTIONAL ACCESSORIES

Bottom Grid: LKWOBG1115SS (small bowl), LKWOBG1617SS (large bowl).

Cutting Board: CB1713 (large bowl).

Drain: LK99.

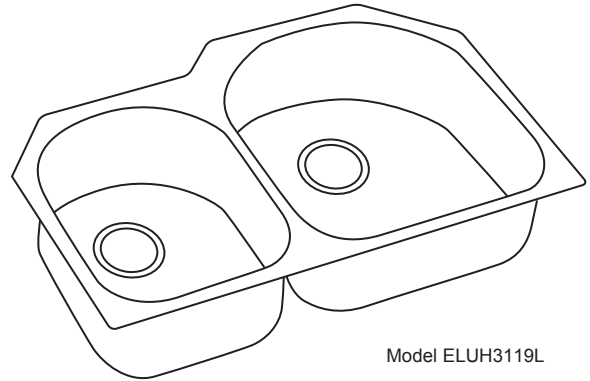
Rinsing Baskets: LKWRB1115SS (small bowl), LKWRB1617SS and LKWERBSS (large bowl).

Utensil Caddy for Rinsing Basket: LKWUCSS.

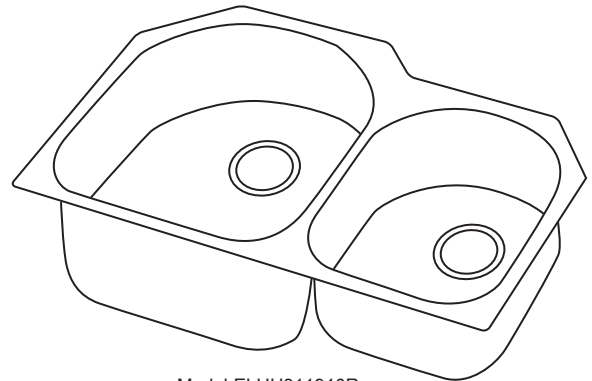
Mounting Clip: LKUCLIP8 (2 packages required).

### SINK PACKAGE(S)

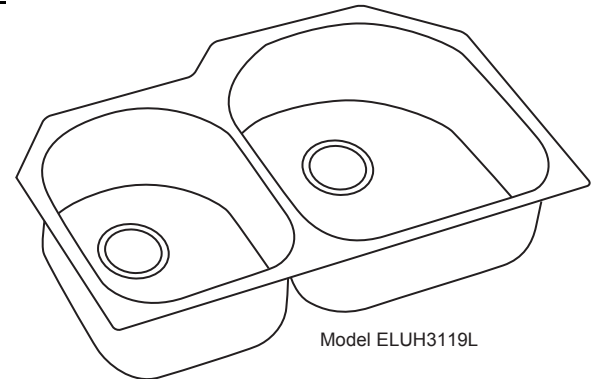
MODEL	SINK	BOTTOM GRID	QTY	DRAIN	QTY
ELUH3119LDBG	ELUH3119L	LKWOBG1617SS	1	LK99	1
ELUH3119RDBG	ELUH3119R	LKWOBG1617SS	1	LK99	1
ELUH311910LDBG	ELUH311910L	LKWOBG1617SS	1	LK99	1
ELUH311910RDBG	ELUH311910R	LKWOBG1617SS	1	LK99	1



Model ELUH3119L



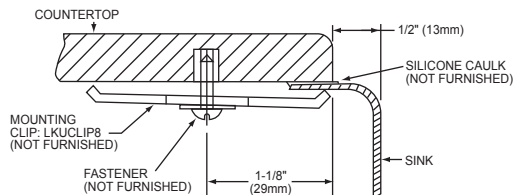
Model ELUH311910R



Model ELUH3119L

### Installation Profile of ELUH Models

The template provided with each ELUH sink provides the only type of installation recommended by Elkay.



(ELUH Double bowl)

In keeping with our policy of continuing product improvement, Elkay reserves the right to change product specifications without notice. Please visit [elkay.com](http://elkay.com) for the most current version of Elkay product specification sheets.

This specification describes an Elkay product with design, quality, and functional benefits to the user. When making a comparison of others producers offerings, be certain these features are not overlooked.

# Harmony® Undermount Double Bowl Sink Model ELUH3119 Series

# ELKAY® SPECIFICATIONS

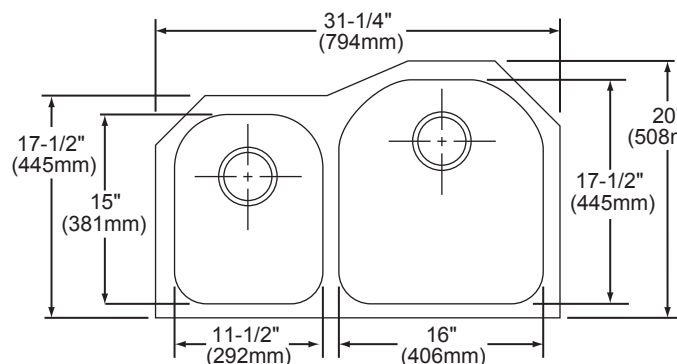
## SINK DIMENSIONS\*

Model Number	Overall		Inside Left Bowl			Inside Right Bowl			Cutout in Countertop	Minimum Cabinet Size
	L	W	L	W	D	L	W	D		
ELUH3119L	31 1/4 (794mm)	20 (508mm)	11 1/2 (292mm)	15 (381mm)	7 1/2 (191mm)	16 (406mm)	17 1/2 (445mm)	7 1/2 (191mm)	See Template**	36 (914mm)
ELUH3119R	31 1/4 (794mm)	20 (508mm)	16 (406mm)	17 1/2 (445mm)	7 1/2 (191mm)	11 1/2 (292mm)	15 (381mm)	7 1/2 (191mm)		36 (914mm)
ELUH311910L	31 1/4 (794mm)	20 (508mm)	11 1/2 (292mm)	15 (381mm)	7 1/2 (191mm)	16 (406mm)	17 1/2 (445mm)	10 (254mm)		36 (914mm)
ELUH311910R	31 1/4 (794mm)	20 (508mm)	16 (406mm)	17 1/2 (445mm)	10 (254mm)	11 1/2 (292mm)	15 (381mm)	7 1/2 (191mm)		36 (914mm)

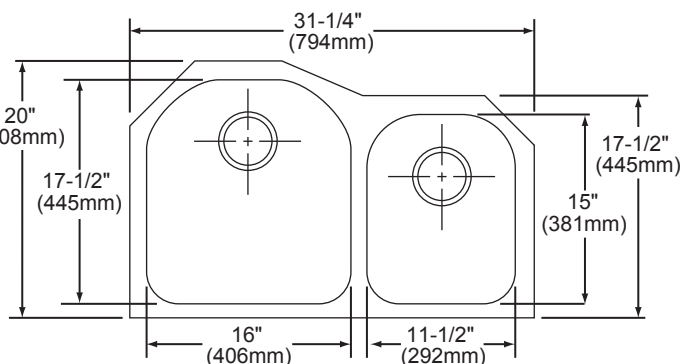


\*Length is left to right. Width is front to back.

\*\*Template #74180232 is packed with every sink.



Model ELUH3119L and ELUH311910L Illustrated



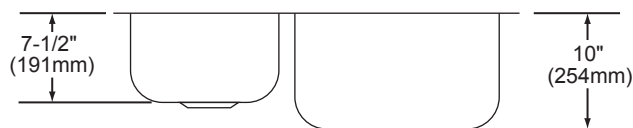
Model ELUH3119R and ELUH311910R Illustrated



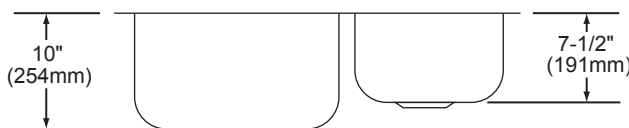
Model ELUH3119L Illustrated



Model ELUH3119R Illustrated



Model ELUH311910L Illustrated



Model ELUH311910R Illustrated

In keeping with our policy of continuing product improvement, Elkay reserves the right to change product specifications without notice. Please visit [elkay.com](http://elkay.com) for the most current version of Elkay product specification sheets.

This specification describes an Elkay product with design, quality, and functional benefits to the user. When making a comparison of others producers offerings, be certain these features are not overlooked.