

ELKAY[®]

SPECIFICATIONS

Gourmet e-dock™ Undermount Sink with Perfect Drain™

Model ELU2816PDK and ELUH2816PDK Series

GENERAL

Highest quality sink formed of #18 (1.2mm) gauge, type 304 (18-8) nickel bearing stainless steel. **Perfect Drain and e-dock.**
Undermount.

DESIGN FEATURES

Bowl Depth: 7-1/2" (200mm), Overall depth: 9" (229mm) (ELU[H]2816)
10" (254mm), Overall depth: 11-1/2" (292mm)(ELU[H]281610).

Coved Corners: 1-3/4" (44mm) vertical and horizontal radius.

Finish ELU2816: Exposed surfaces are hand blended to a Lustrous Satin finish.

Finish ELUH2816: Exposed surfaces are hand blended to a Lustrous Highlighted Satin finish.

Underside: Fully protected by Sound Guard[®] undercoating to reduce condensation and dampen sound.

Perfect Drain: Seamlessly welded stainless steel collar eliminates the gap between a traditional drain and the sink for a sanitary and gap free installation. Each sink shipped with one LKPD1 drain kit, or a garbage disposer can be installed on sink bowl for user convenience.

Patent Pending.

e-dock sinks have been designed to allow stainless steel accessories to be magnetically positioned on any of the four sidewalls of the sink. Each e-dock sink is shipped with the stainless steel hook accessory (LKEKHOOK). Additional e-dock accessories are available.

Patent Pending

OTHER

Drain opening: 3-3/8" (86mm)

NOTE: All Elkay undermount sinks are designed to affix to the underside of any solid surface countertop.

Waste Fitting complies with ASME A112.18.2/CAN/CSA-B125.2

Sink complies with ASME A112.19.3-2008 / CSA B45.4-08.



These sinks are listed by the International Association of Plumbing and Mechanical Officials as meeting the requirements of the Uniform Plumbing Code and the National Plumbing Code of Canada.

e-dock ACCESSORIES*

Model Number	Description	Overall			Material
		L	W	D	
LKEKSPONGE	Sponge Holder	3-1/2 (89mm)	1-1/4 (32mm)	3-1/8 (79mm)	Stainless Steel
LKEKLEDGE	Ledge	2-5/8 (67mm)	3-1/2 (89mm)	3-7/8 (98mm)	Stainless Steel
LKEKHOOK	Hook	1-3/4 (44mm)	1-1/8 (29mm)	2-7/16 (62mm)	Stainless Steel
LKEKUTENSIL	Utensil Holder	3 (76mm)	2-1/2 (51mm)	5-3/8 (137mm)	Stainless Steel
LKDEK35	Disposal Cover	2-11/16 (68mm)	2-11/16 (68mm)	1-1/4 (32mm)	Stainless Steel

*Furnished with magnet (LKEKMAGNET)



LKEKSPONGE



LKEKLEDGE



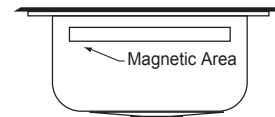
LKEKHOOK



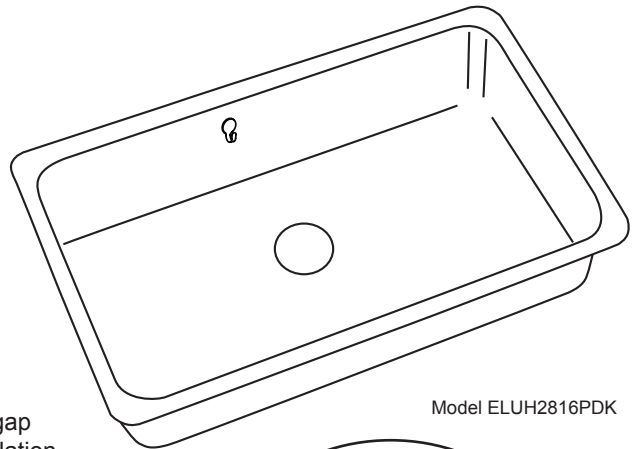
LKEKUTENSIL



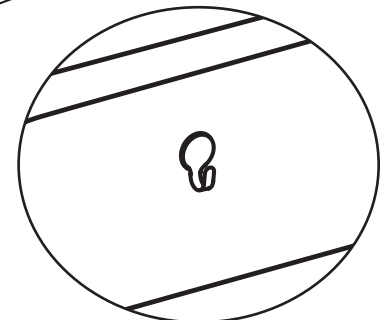
LKDEK35



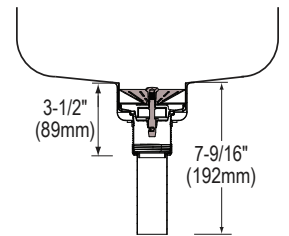
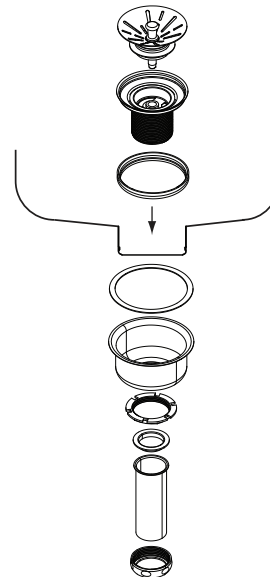
All four sides of sink



Model ELUH2816PDK



Included



Sink with Drain Kit Installed

Warning: This product contains magnets. Keep away from credit cards, computer hard drives, magnetic I.D. cards, and other magnetic media. Magnets may interfere with medical devices such as pacemakers. Consult your physician before use. Pinch hazard - magnets can jump out of your hands and snap together from a surprising distance before you realize what's happening.

In keeping with our policy of continuing product improvement, Elkay reserves the right to change product specifications without notice. Please visit elkayusa.com for most current version of Elkay product specification sheets.

This specification describes an Elkay product with design, quality and functional benefits to the user. When making a comparison of other producers' offerings, be certain these features are not overlooked.

Elkay

elkayusa.com

2222 Camden Court
Oak Brook, IL 60523

Printed in U.S.A.
©2012 Elkay

(2/12) 1-460

ELKAY[®]

SPECIFICATIONS

Gourmet e-dock™ Undermount Sink with Perfect Drain™

Model ELU2816PDK and ELUH2816PDK Series

OPTIONAL ACCESSORIES

Bottom Grid: LKWOBG2816SS
 Cutting Boards: CB1713, CBS1316 (ELUH models only)
 Rinsing Baskets: LKWRB2816SS, LKWERBSS
 Utensil Caddy for Rinsing Baskets: LKWUCSS
 Mounting Hardware: LKUCLIP8 (2 packages required)

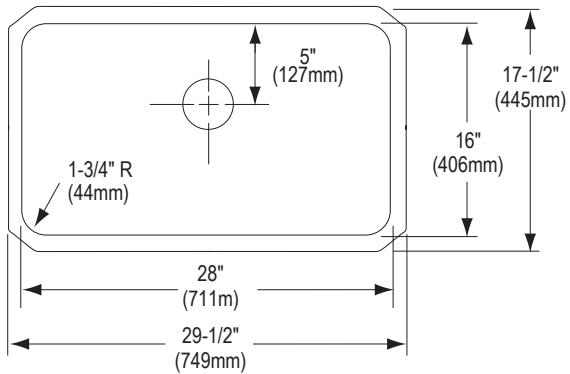


SINK DIMENSIONS*

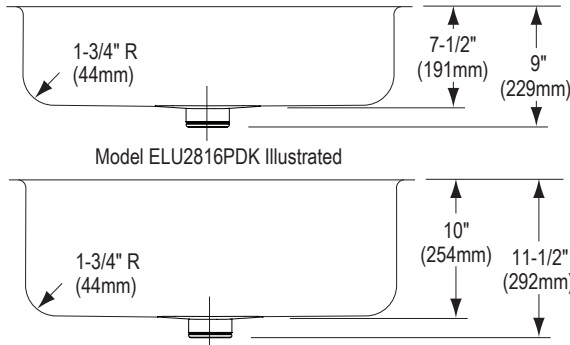
Model Number	Overall			Inside Each Bowl			Cutout in Countertop	Minimum Cabinet Size
	L	W	D	L	W	D		
ELU2816PDK	29-1/2 (749mm)	17-1/2 (445mm)	9 (229mm)	28 (711mm)	16 (406mm)	7-1/2 (191mm)	See Template**	33 (838mm)
ELU281610PDK	29-1/2 (749mm)	17-1/2 (445mm)	11-1/2 (292mm)	28 (711mm)	16 (406mm)	10 (254mm)		33 (838mm)
ELUH2816PDK	30-1/2 (775mm)	18-1/2 (470mm)	9 (229mm)	28 (711mm)	16 (406mm)	7-1/2 (191mm)		36 (914mm)
ELUH281610PDK	30-1/2 (775mm)	18-1/2 (470mm)	11-1/2 (292mm)	28 (711mm)	16 (406mm)	10 (254mm)		36 (914mm)

*Length is left to right. Width is front to back.

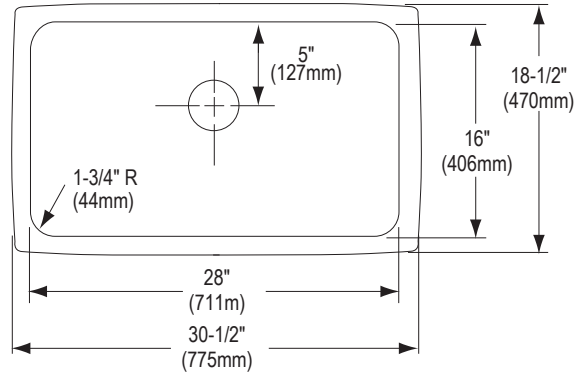
**Template 74180171 (ELU2816(10)) or 74180252 (ELUH2816(10)) is packed with every sink.



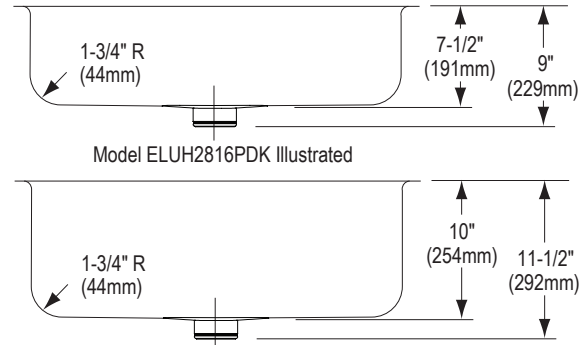
Model ELU2816PDK Illustrated



Model ELU281610PDK Illustrated

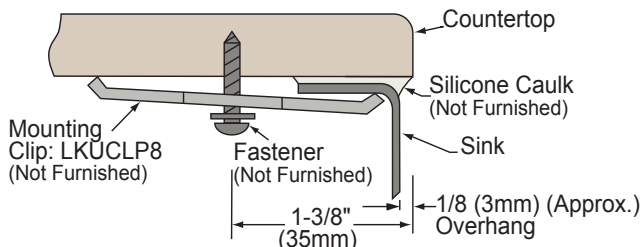


Model ELUH2816PDK Illustrated

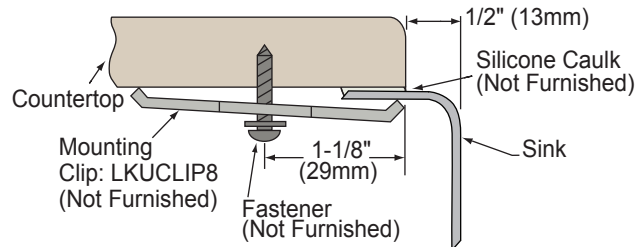


Model ELUH281610PDK Illustrated

Installation Profile 1/8" (3mm) Overhang (ELU Sink)



Installation Profile 1/2" (13mm) Reveal (ELUH Sink)



In keeping with our policy of continuing product improvement, Elkay reserves the right to change product specifications without notice. Please visit elkayusa.com for most current version of Elkay product specification sheets.

This specification describes an Elkay product with design, quality and functional benefits to the user. When making a comparison of other producers' offerings, be certain these features are not overlooked.