

ELKAY® SPECIFICATIONS

Gourmet® Undermount Double Bowl Sink with Apron Models ELUHF3320 and ELUHF332010

GENERAL

Highest quality sink formed of #18 (1.2mm) gauge, type 304 (18-8) nickel bearing stainless steel. Undermount.

DESIGN FEATURES

Bowl Depth: 7-7/8" (200mm) (ELUHF3320), 10" (254mm) (ELUHF332010).

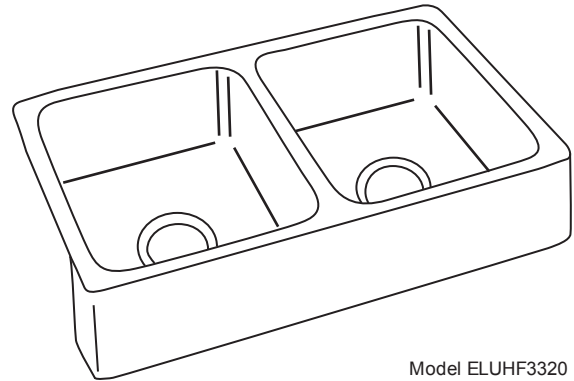
Apron Height: 8" (203mm)

Coved Corners: 1-3/4" (44mm) vertical and horizontal radius.

Finish: Exposed surfaces are hand blended to a Lustrous Highlighted Satin finish.

Underside: Underside of sink is fully protected by heavy duty Sound Guard™ undercoating to reduce condensation and dampen sound.

Note: All Elkay undermount sinks are designed to affix to the underside of any solid surface countertop.



Model ELUHF3320

OTHER

Drain Opening: 3-1/2" (89mm).

Installation: See illustrated profile below.

Sink complies with ASME A112.19.3-2008 / CSA B45.4-08

OPTIONAL ACCESSORIES

Bottom Grid: LKWOBG1316SS.

Cutting Boards: CB1613, CB1713, CBR1316, CBS1316.

Drain: LK99.

Mounting Clip: LKUCLIP8 (2 packages required).

Rinsing Baskets: LKWRB1316SS, LKWERBSS.

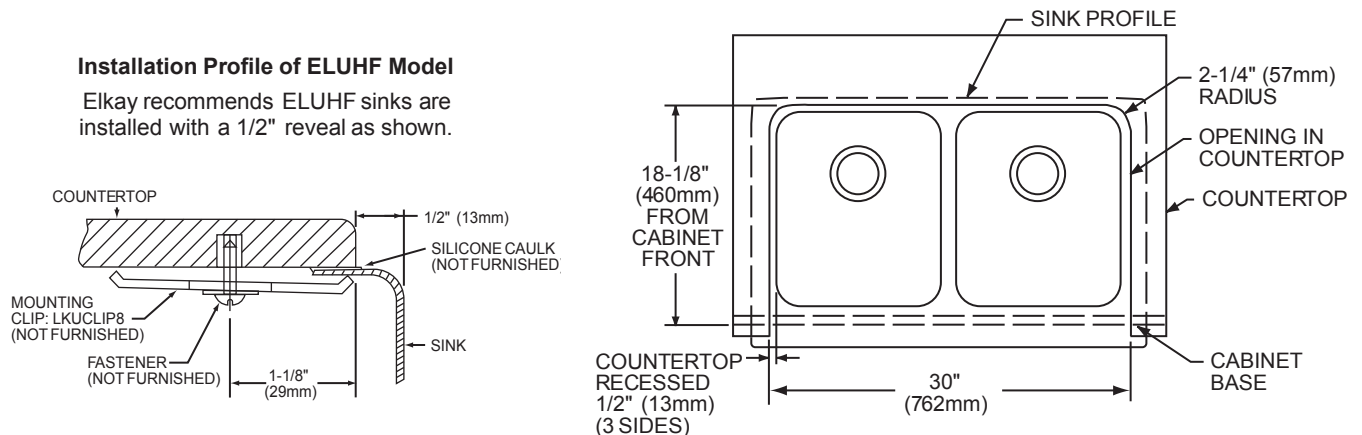
Utensil Caddy for Rinsing Basket: LKWUCSS.

SINK PACKAGE(S)

MODEL	SINK	BOTTOM GRID	QTY	DRAIN	QTY
ELUHF332010DBG	ELUHF332010	LKWOBG1316SS	1	LK99	1
ELUHF3320DBG	ELUHF3320	LKWOBG1316SS	1	LK99	1

Installation Profile of ELUHF Model

Elkay recommends ELUHF sinks are installed with a 1/2" reveal as shown.



SEE OTHER SIDE FOR PRODUCT DIMENSIONS.



In keeping with our policy of continuing product improvement, Elkay reserves the right to change product specifications without notice. Please visit elkayusa.com for most current version of Elkay product specification sheets.

This specification describes an Elkay product with design, quality and functional benefits to the user. When making a comparison of other producers' offerings, be certain these features are not overlooked.

Elkay

elkayusa.com

2222 Camden Court
Oak Brook, IL 60523

Printed in U.S.A.
©2010 Elkay

(Rev. 01/10) 1-144E

**Gourmet® Undermount
Double Bowl Sink with Apron
Models ELUHF3320 and ELUHF332010**

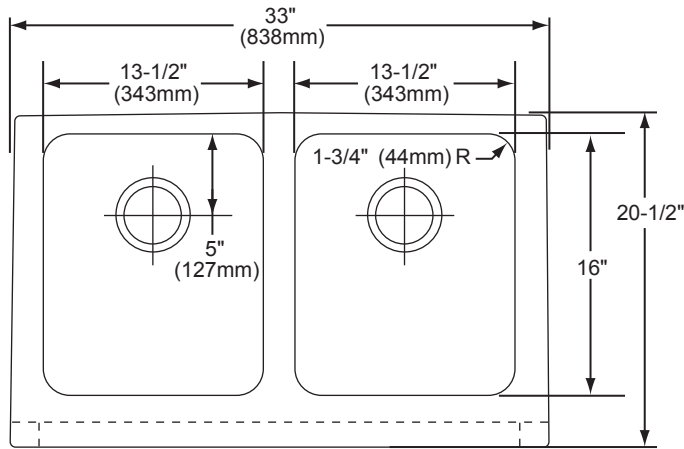
**ELKAY®
SPECIFICATIONS**

SINK DIMENSIONS*

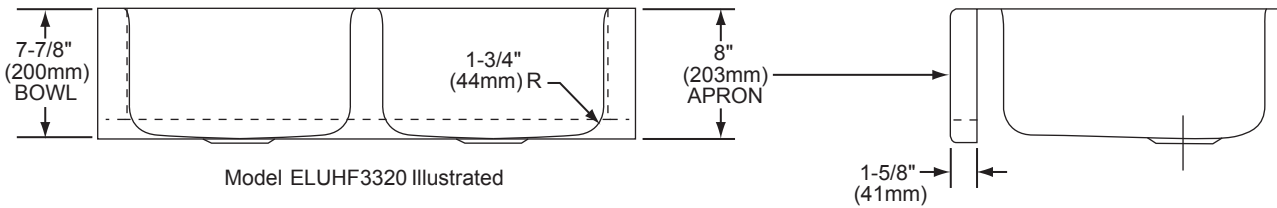
Model Number	Overall		Inside Each Bowl			Minimum Cabinet Size
	L	W	L	W	D	
ELUHF3320	33 (838mm)	20 1/2 (521mm)	13 1/2 (343mm)	16 (406mm)	7 7/8 (200mm)	36 (914mm)
ELUHF332010	33 (838mm)	20 1/2 (521mm)	13 1/2 (343mm)	16 (406mm)	10 (254mm)	36 (914mm)

*Length is left to right. Width is front to back.

TOP VIEW

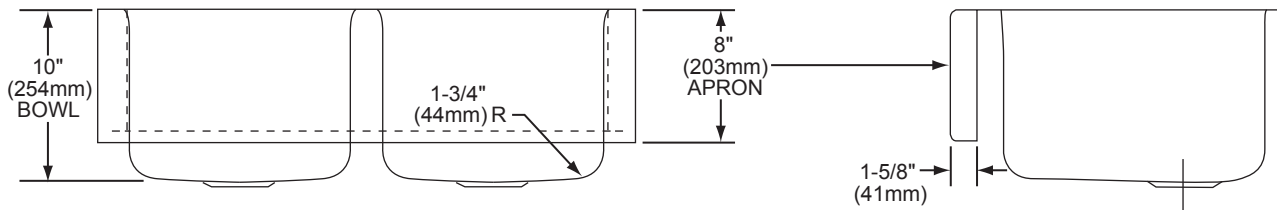


SIDE VIEW



Model ELUHF3320 Illustrated

SIDE VIEW



Model ELUHF332010 Illustrated