

Celebrity® Double Bowl Sink and Tray
20 Gauge - Type 304 - Self Rim
Models STCR3322L and STCR3322R



SPECIFICATIONS

GENERAL

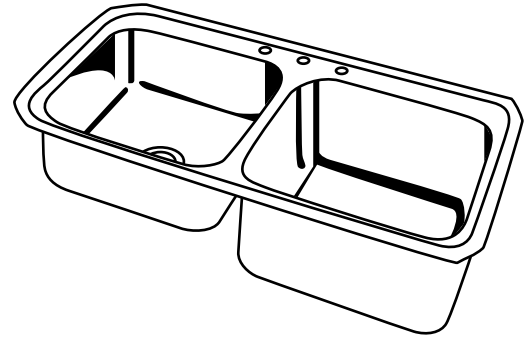
Good quality Celebrity double bowl sink is seamlessly drawn of #20 gauge, type 304 (18-8) nickel bearing stainless steel. Self-rimming. Exclusive trimmed corner design.

DESIGN FEATURES

Bowl Depths: 7" (Regular), 10" (Deep Bowl).
 Coved Corners: 3" vertical radius.
 Bowl and Faucet Deck Recess: 3/16" below outside edge of sink.
 Finish: Exposed surfaces are machine polished to a highlighted finish.
 Underside: Fully undercoated to prevent condensation and deaden sound.

OTHER

Drain opening: 3-1/2".
 Faucet Holes: Available with 0, 1, 2, 3, 4, or 5 1-1/2" diameter faucet holes 4" centers.
 NOTE: Does not comply with ANSI Standard A112.19.3M.



Model STCR3322R3

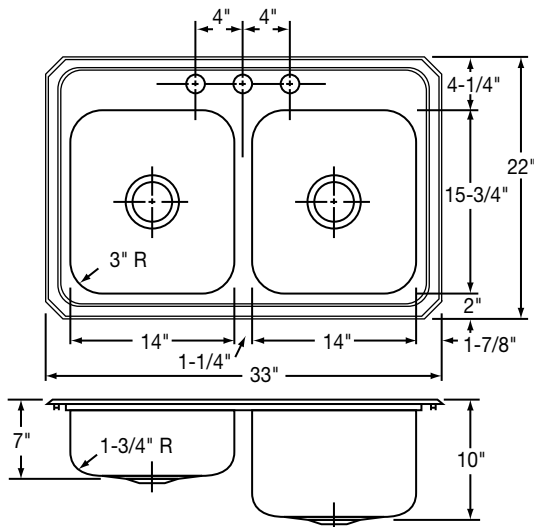
OPTIONAL ACCESSORIES

Cutting Boards: CB1516 or CBC1714
 Rinsing Basket: LKRB1414 or LKERBSS

SINK DIMENSIONS (INCHES)*

Model Number	Overall		Inside Left Bowl			Inside Right Bowl			Cutout in Countertop (1 1/2" Radius Corners)		Ship. Wt. Lbs.
	L	W	L	W	D	L	W	D	L	W	
STCR3322L	33	22	14	15 3/4	10	14	15 3/4	7	32 3/8	21 3/8	18
STCR3322R	33	22	14	15 3/4	7	14	15 3/4	10	32 3/8	21 3/8	18

*Length is left to right. Width is front to back.



Model STCR3322R3 Illustrated

ALL DIMENSIONS IN INCHES, TO CONVERT TO MILLIMETERS MULTIPLY BY 25.4.

In keeping with our policy of continuing product improvement, Elkay reserves the right to change product specifications without notice.

This specification describes an Elkay product with design, quality and functional benefits to the user. When making a comparison of other producers' offerings, be certain these features are not overlooked.