

Pacemaker® Double Bowl
20 Gauge, Type 302, Self Rim
Model PSR-3322



SPECIFICATIONS

GENERAL

Fine quality Pacemaker double bowl sink is seamlessly drawn of #20 gauge, type 302 (18-8) nickel bearing stainless steel. Self-rimming.

DESIGN FEATURES

Bowl Depth: 7-1/2" (both bowls).

Coved Corners: 1-3/4" radius.

Bowl and Faucet Deck Recess: 7/16" drop ledge.

Finish: Exposed surfaces are polished to a lustrous, highlighted bright satin finish.

Underside: Fully protected by Heavy Duty Sound Guard under-coating.

OTHER

Drain opening: 3-1/2".

Faucet Holes: Available with 0, 1, 2, 3, 4, or 5 1-1/2" diameter faucet holes, 4" center to center.

NOTE: Unless otherwise specified, sink is furnished with four faucet holes as shown.

This sink complies with ANSI Standard A112.19.3m.



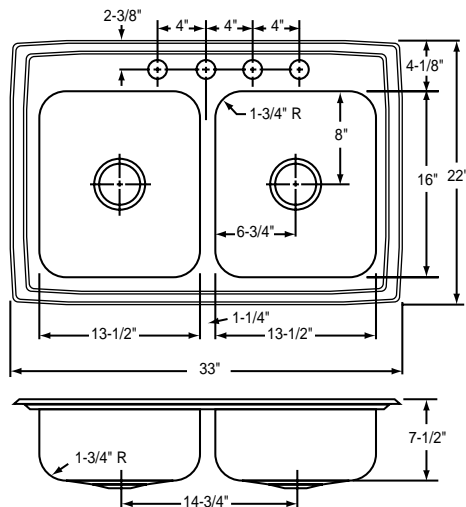
Model PSR-3322-4 Shown



This sink is listed by the International Association of Plumbing and Mechanical Officials as meeting the requirements of the Uniform Plumbing Code.

SINK DIMENSIONS

Model Number	DIMENSIONS IN INCHES					Cutout In Countertop (1 1/2" Radius Corners)		No. of 1 1/2" Dia. Faucet Holes 4" Centers	Ship. Wt. Lbs.
	Length is left to right. Width is front to back.					L	W		
	Overall		Inside Each Bowl						
PSR-3322	L	W	L	W	D	L	W	0, 1, 2, 3, 4, or 5	20



Model PSR-3322-4 Illustrated

ALL DIMENSIONS IN INCHES. TO CONVERT TO MILLIMETERS MULTIPLY BY 25.4.

In keeping with our policy of continuing product improvement, Elkay reserves the right to change product specifications without notice.

This specification describes an Elkay product with design, quality and functional benefits to the user. When making a comparison of other producers' offerings, be certain these features are not overlooked.

Elkay Manufacturing Company

www.elkay.com

2222 Camden Court
 Oak Brook, IL 60523

Printed in U.S.A.
 ©1999 Elkay Mfg. Co.

(Rev. 5/99) 1-76D