

SPECIFICATIONS

GENERAL

Good quality Celebrity double bowl sink is seamlessly drawn of #20 gauge, type 304, (18-8) nickel bearing stainless steel. Self-rimming.

DESIGN FEATURES

Bowl Depth: 7" (Both Bowls).
Coved Corners: 3" vertical radius, 2-1/4" horizontal radius.
Bowl and Faucet Deck Recess: 3/16" total recess below rim provides protection against water overflowing onto countertop.
Finish: Exposed surfaces are machine polished to a lustrous, highlighted Celebrity bright finish.
Underside: Fully undercoated to prevent condensation and deaden sound.

OTHER

Drain Opening: 3-1/2".
Faucet Holes: 1, 2, S2, 3 or 4 holes as indicated, 4" center to center.
Note: Unless otherwise specified, sink is furnished with four faucet holes as shown.
Recommended Sink Base: 36".

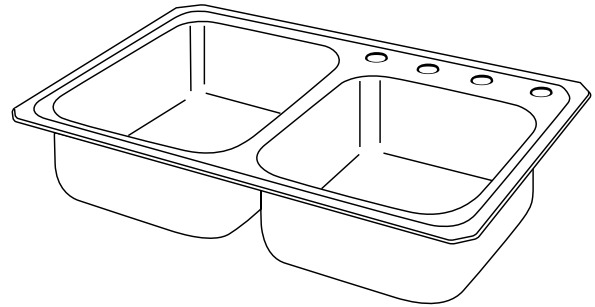
OPTIONAL ACCESSORIES

Cutting Boards: CB1516 and CBC1714.
Rinsing Baskets: LKRB1614 and LKERBSS.

This sink complies with ANSI Standard A112.19.3M.



This sink is listed by the International Association of Plumbing and Mechanical Officials as meeting the requirements of the Uniform Plumbing Code.

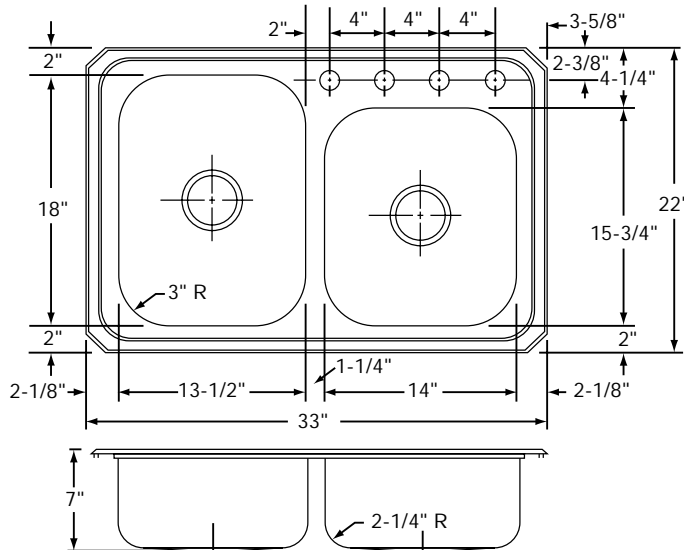


Model CR2504

SINK DIMENSIONS (INCHES)*

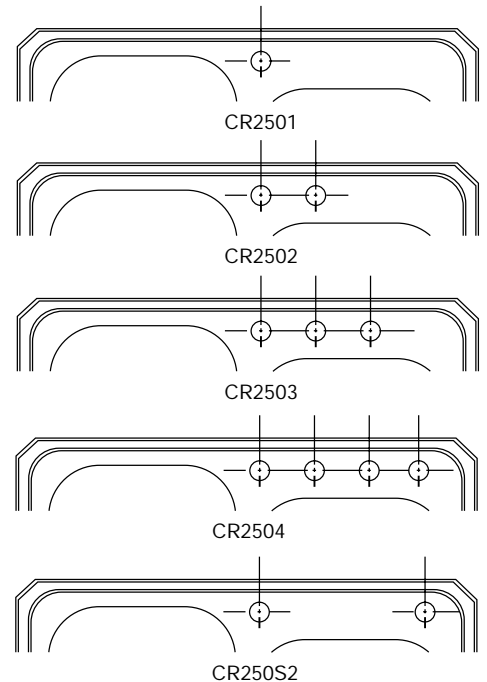
Model Number	Overall		Inside Left Bowl			Inside Right Bowl			Cutout in Countertop (1 1/2" Radius Corners)		No. of 1 1/2" Dia. Faucet Holes 4" Center	Ship. Wt. Lbs.
	L	W	L	W	D	L	W	D	L	W		
CR250	33	22	13 1/2	18	7	14	15 3/4	7	32 3/8	21 3/8	1, 2, S2, 3, 4	17 1/4

*Length is left to right. Width is front to back.



Model CR2504 Illustrated

HOLE DRILLING CONFIGURATIONS



ALL DIMENSIONS IN INCHES, TO CONVERT TO MILLIMETERS MULTIPLY BY 25.4.