

ELKAY® SPECIFICATIONS

Hand Wash-Up Sink Type 304 Models CHSB1716C and CHSB17162

GENERAL

CHSB1716C Type 304 (18-8) stainless steel hand wash-up sink. Basin has 1-3/4" (45mm) radius covered corners. Full length 7" (178mm) high backsplash. Exposed surfaces have a brushed finish. Furnished with a wall hanger. Carries NSF International Certification.

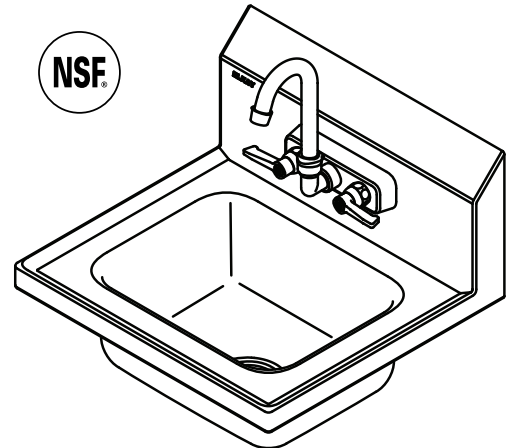
FURNISHED COMPLETE WITH:

SUPPLY: **LKB400** Chrome plated gooseneck spout faucet with aerator.

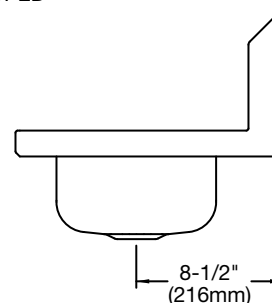
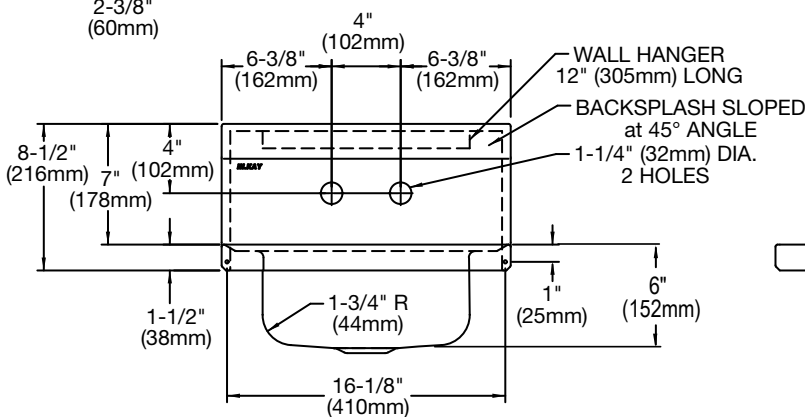
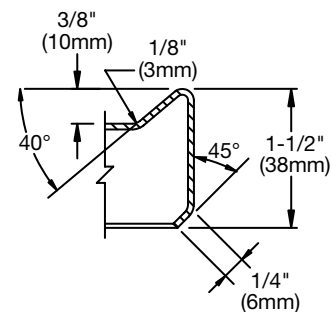
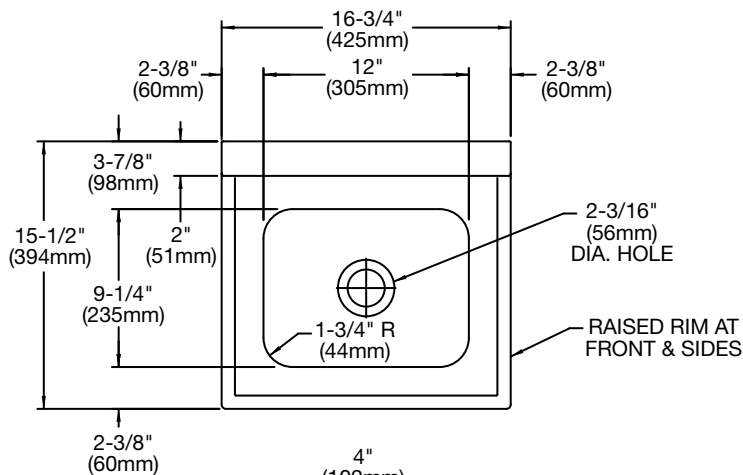
DRAIN: **LKB8** Type 304 stainless steel body and grid strainer. 1-1/2" (38mm) O.D.

FOLLOWING MODEL DOES NOT INCLUDE FAUCET:

- CHSB17162



Model CHSB1716C



MOUNTING HOLE LOCATIONS

In keeping with our policy of continuing product improvement, Elkay reserves the right to change product specifications without notice. Please visit elkayusa.com for most current version of Elkay product specification sheets.

This specification describes an Elkay product with design, quality and functional benefits to the user. When making a comparison of other producers' offerings, be certain these features are not overlooked.

Elkay

elkayusa.com

2222 Camden Court
Oak Brook, IL 60523

Part No. 74180148

Printed in U.S.A.

©2009 Elkay

(4/09)

4-24