

### SPECIFICATIONS

#### GENERAL

Highest quality sink formed of #18 (1.2mm) gauge, type 304 (18-8) nickel bearing stainless steel. Undermount.

#### DESIGN FEATURES

ELUHAD Bowl Depth: 4-1/2" (114mm), 5" (127mm) or 5-1/2" (140mm)

Finish: Exposed surfaces are hand polished to a Lustrous Highlighted Satin finish.

Underside: Fully protected by to reduce condensation and dampen sound. Sound Guard® undercoating

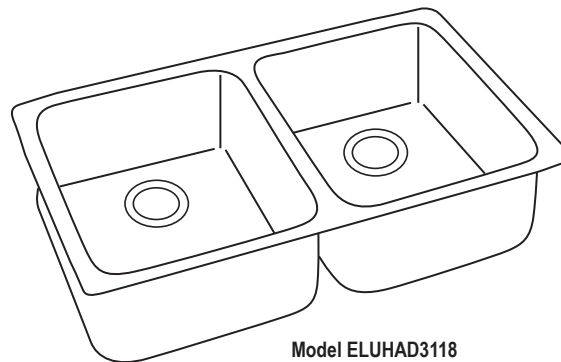
#### OTHER

Drain Opening: 3-1/2" (89mm) center rear location.

NOTE: All Elkay undermount sinks are designed to attach to the underside of any solid surface countertop.

Sink complies with ASME A112.19.3/ CSA B45.4

 Sinks are listed by IAPMO® as meeting the applicable requirements of the Uniform Plumbing Code®, International Plumbing Code®, and National Plumbing Code of Canada.



Model ELUHAD3118

#### SINK DIMENSIONS\*

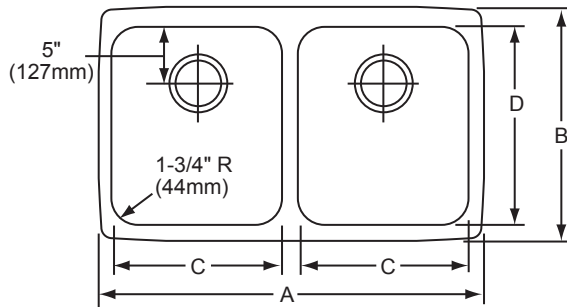
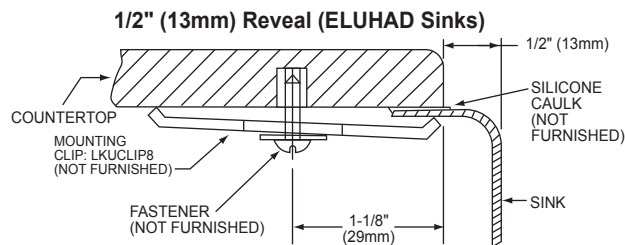
Model Number	Overall		Inside Each Bowl			Cutout in Countertop	Minimum Cabinet Size
	Length	Width	Length	Width	Depth		
	A	B	C	D			
ELUHAD3118	30-3/4 (781mm)	18-1/2 (470mm)	13-1/2 (343mm)	16 (406mm)	**	36 (914mm)	
ELUHAD3120R	(L) 31-1/4 (794mm)	20-1/2 (521mm)	14 (356mm)	18 (457mm)	**	36 (914mm)	
	(R) 31-1/4 (794mm)	18-1/2 (470mm)	13-1/2 (343mm)	16 (406mm)	**	36 (914mm)	
ELUHAD3216	31-3/4 (806mm)	16-1/2 (419mm)	14 (356mm)	14 (356mm)	**	36 (914mm)	
ELUHAD3618	35-3/4 (908mm)	18-1/2 (470mm)	16 (406mm)	16 (406mm)	**	39 (991mm)	
ELUHAD4218	41-3/4 (1060mm)	18-1/2 (470mm)	19 (483mm)	16 (406mm)	**	45 (1143mm)	
ELUHAD4618	45-3/4 (1162mm)	18-1/4 (464mm)	21 (533mm)	15-3/4 (400mm)	**	51 (1295mm)	

\* Length is left to right. Width is front to back.

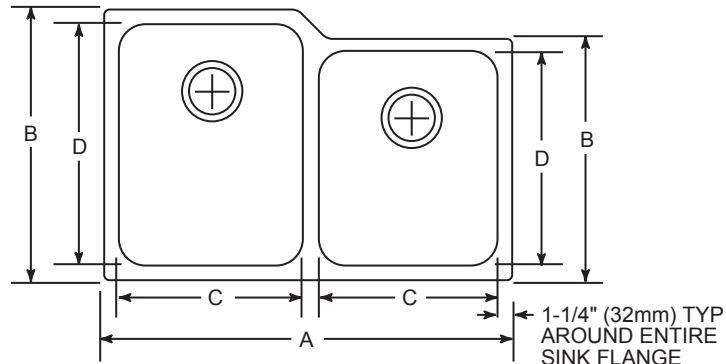
\*\* Available in 4-1/2" (114mm), 5" (127mm) or 5-1/2" (140mm).



**Installation Profile of ELUHAD Double Bowl Models**  
The template provided with each ELUHAD sink provides the only type of installation recommended by Elkay.



Model ELUHAD3118 Illustrated



Model ELUHAD3120R Illustrated

In keeping with our policy of continuing product improvement, Elkay reserves the right to change product specifications without notice. Please visit [elkayusa.com](http://elkayusa.com) for most current version of Elkay product specification sheets.

This specification describes an Elkay product with design, quality and functional benefits to the user. When making a comparison of other producers' offerings, be certain these features are not overlooked.