

DAYTON

SPECIFICATIONS

Dayton® Single Bowl
Models GE12521L and GE12521R
A.D.A. Compliant

GENERAL

Sink bowl is seamlessly drawn of heavy gauge, nickel bearing stainless steel.

DESIGN FEATURES

Bowl Depth: 5-3/8".

Coved Corners: Interior vertical and horizontal corners are rounded to a minimum of 2-3/4" radii.

Finish: Exposed surfaces are polished to a satin finish.

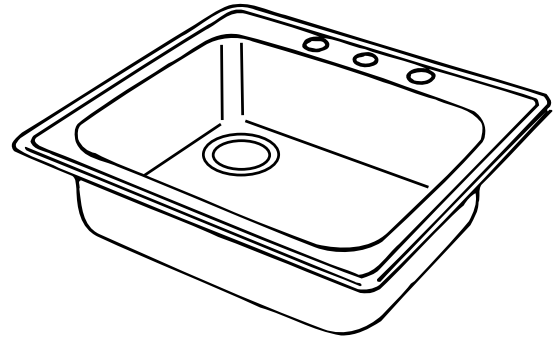
OTHER

Drain Opening: 3-1/2".

Faucet Holes: Available with 0, 3 or 4, 1-1/2" diameter faucet holes, 4" center to center.

Note: Unless otherwise specified, sink is furnished with 4 faucet holes as shown.

These sinks comply with ANSI Standard A112.19.3M.



Model GE12521L3



These sinks are listed by the International Association of Plumbing and Mechanical Officials as meeting the requirements of the Uniform Plumbing Code.

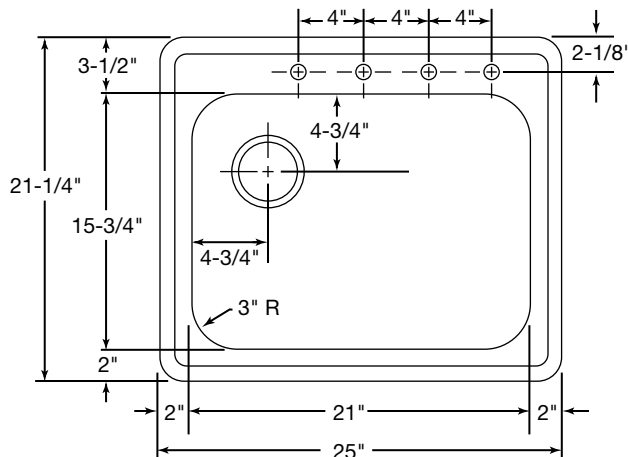


These sinks are listed with the Canadian Standards Association.

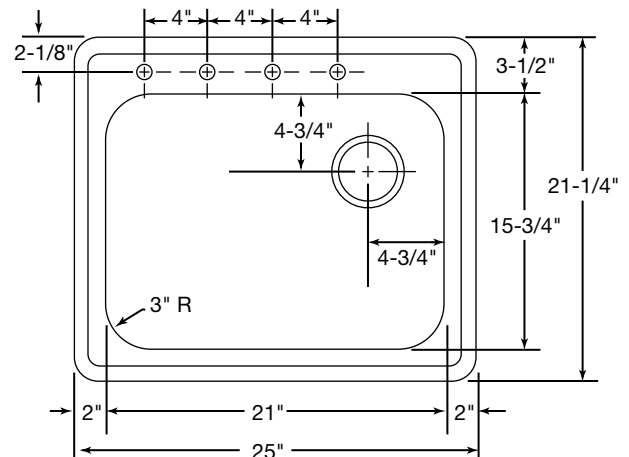
SINK DIMENSIONS (INCHES)*

Model Number	Overall		Inside Bowl			Cutout in Countertop (1 1/2" Radius Corners)		No. of 1 1/2" Dia. Faucet Holes	Minimum Cabinet Size	Ship. Wt. Lbs.
	L	W	L	W	D	L	W			
GE12521L	25	21 1/4	21	15 3/4	5 3/8	24 3/8	20 5/8	0, 3 or 4	30	10 1/2
GE12521R	25	21 1/4	21	15 3/4	5 3/8	24 3/8	20 5/8	0, 3 or 4	30	10 1/2

*Length is left to right. Width is front to back.



Model GE12521L4 Illustrated



Model GE12521R4 Illustrated

ALL DIMENSIONS IN INCHES, TO CONVERT TO MILLIMETERS MULTIPLY BY 25.4.

In keeping with our policy of continuing product improvement, Elkay reserves the right to change product specifications without notice.

This specification describes an Elkay product with design, quality and functional benefits to the user. When making a comparison of other producers' offerings, be certain these features are not overlooked.